

SKP-S SKP-E
SEM-D BKP-D
SKP-C SKP-DG



Simpa®

3TBE SP-IKY
SKP-L45-SIKUB



SKP-S3
AKP-D



WIBOB-D




SP-YK

SKP-L90-S



TEMmuz 2020
3TBE SP-IKY/2

ZERTIFIKAT • CERTIFICATE • 證書 • CERTIFICADO • CERTIFICAT



Atestation of Conformity
No.: R14 12P10091 0065

Manufacturer: SIMPA ELEKTRİK MALZEMESİ
SAN.VE TİC. AŞ
DES Sanayi Sitesi 105. Sokak B 11 Blok No : 16
Ümraniye /İSTANBUL-TÜRKİYE

Product: CABLE TERMINAL
EARTHING APPARATUS

Model (s): SKP-K, SKP-A, SKP-S, SKP-B1,
SKP-S2, SKP-S3, SKP-D, SKP-C
SKP-L0, SKP-L45, SEM-A, SEM-D
KUB-1,0/1, KUB-1,0/1, KUB-1,0/1
KUB-2,0/1,KUB-3,0/1, KUB-3,0/1

Product Tested And Inspected According to : RoHS (2011/65/EC), 2005/618/EC,
2005/717/EC & 2005/747/EC
Restriction of Hazardous Substances (RoHS)
Heavy Metals (Lead, Cadmium, Hexavalent
Chromium and Mercury)
Brominated Flame Retardants (PBBs & PBDEs)


This Attestation of Conformity is issued on a voluntary basis according to directives mentioned above. It confirms that the submitted sample of the above item complies with the directives

Test Report No.: TURR120071219

Date, 2014-12-24

Page 1 of 1

TUV SÜD / Türkiye • Büyükdere Cad. No:103A
Sokak 3. Merkezi A Blok Kat:5 34398 Maslak/İstanbul- TÜRKİYE



TUV®

BESCHEINIGUNG • CERTIFICATION • ATTESTATION • CONSTANCIA • DOCUMENTO • BELGE



Atestation of Conformity
No.: R12 12P10091 0072

Manufacturer: SIMPA ELEKTRİK MALZEMESİ
SAN.VE TİC. AŞ
DES Sanayi Sitesi 105. Sokak B 11 Blok No : 16
Ümraniye /İSTANBUL-TÜRKİYE

Product: FEEDING APPARATUS

Model (s): 1TBE-12/1,5, 1TBE-18/1,5, 1TBE-24/1,5, 1TBE-
30/1,5, 1TBE-MT/1,5, 2TBE-06/1,0, 2TBE-09/1,0
2TBE-12/1,0, 2TBE-15/1,0, 2TBE-MT/1,0, 2TBE-
06/1,5, 2TBE-09/1,5, 2TBE-12/1,5, 2TBE-15/1,5,
2TBE-MT/1,5, 2TBE-04/1,0, 3TBE-06/1,0, 3TBE-
08/1,0, 3TBE-10/1,0, 3TBE-MT/1,0, 3TBE-
04/1,5, 3TBE-06/1,5, 3TBE-08/1,5, 3TBE-10/1,5,
3TBE-MT/1,5, 3TBD-04/1,0, 3TBD-06/1,0, 3TBD-
08/1,0, 3TBD-10/1,0, 3TBD-04/1,5, 3TBD-06/1,5,
3TBD-08/1,5, 3TBD-10/1,5, 1BOB-E, 1BOB-D

Product Tested And Inspected According to : 2002/95/EC, 2005/618/EC,
2005/717/EC & 2005/747/EC
Restriction of Hazardous Substances (RoHS)
Heavy Metals (Lead, Cadmium, Hexavalent
Chromium and Mercury)
Brominated Flame Retardants (PBBs & PBDEs)

This Attestation of Conformity is issued on a voluntary basis according to directives mentioned above. It confirms that the submitted sample of the above item complies with the directives

Test Report No.: TURR120071219 - REVISED 1

Date, 2012-07-13

Page 1 of 1

TUV SÜD / Türkiye • Yıldız Posta Cad. No:17 Kat:5 - TR 34398 Esentepe - İstanbul - Türkiye



TUV®

BOĞAZIÇI ÜNİVERSİTESİ
SABİH TANSAL YÜKSEK AKIM LABORATUVARI
Kuzey Kampüsü Kapısı 34342 Bebek / İstanbul-TÜRKİYE

DENEY RAPORU
TEST REPORT



DENEYİN ADI : Sıkırtımlı tip mekanik bağlayıcı: 95mm² Kablo pabucu
TEST NAME : İki devre ve kısa devre deneyleri

MÜŞTERİ ADI VE ADRESİ : SIMPA Elektrik Malz. San. ve Tic. A. Ş.
CLIENT NAME & ADDRESS : DES Sanayi Sitesi 105. Sok. B11 Blok No:16 Y. Dudullu
Ümraniye/İSTANBUL

DENEY TALEP NUMARASI : T19-0071/01
TEST ORDER NO.

NUMUNE TANIMI (TIP, SERİ NO, MARKA) : SKP-D/095-M12/50, DIN 46235 tip 95mm² sıklımlı tip kablo pabucu
SAMPLE DESCRIPTION (TYP, LFN, BRAND)

NUMUNE KABUL VE DENEY TARİHLERİ : 15 Kasım 2019 – 12 Aralık 2019 ile 09 Mart 2020 aralığı
RECEIPT OF SAMPLE & TEST DATES

DENEY STANDARTLARI : TS EN 61238-1-1; Aralık 2019
TEST STANDARDS

SAYFA SAYISI : 26
NUMBER OF PAGE

DENEY SONUCU : Olumlu Olumsuz Diğer
TEST RESULT : Satisfactory / Not Satisfactory / Other

AÇIKLAMALAR : - Bu rapor sadece deneyleri kapsamındaki numune için geçerlidir.
REMARKS : - Numune sağladığımız laboratuvarımıza ağırlığıdır.

Deneysel laboratuvar olarak faaliyet gösteren Boğaziçi Ünv. Sabih Tansal Yüksek Akım Lab. TÜRKAK'tan AB-479-T ile TS EN ISO/IEC 17025:2012 standardına göre akredite edilmiştir. Boğaziçi Üniversitesi Sabih Tansal High Current Lab. accredited by TÜRKAK under registration number AB-479-T TS EN ISO/IEC 17025:2012 as a test laboratory.

Türk Akreditasyon Kurumu (TÜRKAK) deney raporlarının tanınması konusunda Avrupa Akreditasyon Birliği (EA) ve Uluslararası Laboratuvar Akreditasyon Birliği (ILAC) ile karşılıklı tanıma anlaşmasını imzalamıştır. The Turkish Accreditation Agency (TÜRKAK) is signatory to the multilateral agreement of the European co-operation for the Accreditation (EA) and of the international Laboratory Accreditation (ILAC) for the Mutual recognition of test reports.

Deneysel sonuçlar, ölçüm sonuçları, genişletilmiş ölçüm belirsizlikleri (olması halinde) ve deney metodları bu sertifikasyon belgesinde belirtilen ölçüm sonuçları ile birlikte sunulmaktadır. The test and/or measurement results, the uncertainties (if applicable) with confidence probability and test methods are given on the following pages which are part of this report.

Mühür :  **Tarih** : 19 Mart 2020 **Lab. Sorumlusu** : Mustafa YILDIZ **Onaylayan** : Prof.Dr. M.Naci İNÇİ

FA: 75841/ANL 10.08.18/14 - Bu rapor, laboratuvarımızdaki ölçüm sonuçları ve deney raporları için geçerlidir. İnceleme ve değişiklik raporları gerektirir. This report and test results are valid only for the laboratory of origin. No approval or consent is given to other laboratories.

Sayfa: 1/26

GENEL ÇALIŞMA ŞARTLARIMIZ

- KATALOĞUMUZDAKİ ÜRÜNLERDE, HERHANGİ BİR UYARIYA GEREK KALMAKSIZIN; KOD, ÖLÇÜ VE FİYAT DEĞİŞİKLİĞİ YAPMA HAKKIMIZ SAKLIDIR.
- ÖNCEDEN ANLAŞMAYA VARILMADIĞI TAKDİRDE, SATILAN ÜRÜNLER İADE ALINMAZ.
- NAKLİYE ÜCRETİ ALICIYA AİTTİR.
- FİYATLARIMIZA K.D.V. DAHİL DEĞİLDİR.

TRADE POLICIES

- WE RESERVE THE RIGHT TO CHANGE CODES, MEASUREMENTS AND PRICES OF CATALOG PRODUCTS, WITHOUT ANY NOTICE.
- PRODUCT RETURN IS NOT POSSIBLE WITHOUT PRIOR AGREEMENT.
- CONSIGNMENT CHARGES BELONG TO THE BUYER.
- VAT TAX IS NOT INCLUDED IN OUR PRICES, IT'S ADDITIONAL.

ÖRNEK REFERANS MODELİ / BASIC REFERENCE MODEL

KABLO PABUCU TİPİ TYPE OF CABLE LUG	KABLO KESİTİ (mm ²) - CİVATA ÖLÇÜSÜ (METRİK) CABLE SECTION (mm ²) - BOLT SIZE (METRIC)	STANDART CİVATA DELİĞİ STANDARD BOLT HOLE
SKP-A	150-M12	SD

İçindekiler index



SKP-E Ekonomik tip sıkmalı kablo pabucu
SKP-E Economic type tubular cable lugs

6



SKP-S/GD Gözlem delikli sıkmalı kablo pabucu
SKP-S/GD Tubular cable lugs with inspection hole

7



SKP-A Açık tip sıkmalı kablo pabucu
SKP-A Visible type tubular cable lugs

8



SKP-S Standart tip sıkmalı kablo pabucu
SKP-S Standard type tubular cable lugs

10



SKP-SI Europe tip sıkmalı kablo pabucu
SKP-SI Europe type tubular cable lugs

12



SKP-S2 Sıkmalı kablo pabucu
SKP-S2 Long Barrel tubular cable lugs

14



SKP-S3 Sıkmalı kablo pabucu
SKP-S3 Longer barrel tubular cable lugs

16



SKP-D DIN 46235 tip sıkmalı kablo pabucu
SKP-D DIN 46235 type tubular cable lugs

18



SKP-DI Kaynaklı tip kablo pabucu DIN 46234
SKP-DI DIN 46234 type cable lugs

20



SKP-DG Dar girişli sıkmalı kablo pabucu
SKP-DG Tubular cable lugs for switch gear connections

22



SKP-L45-S / SKP-L90-S Açılı Standart tip (S) kablo pabucu
SKP-L45-S / SKP-L90-S Standard type angular cable lugs

23



SKP-L90-SI / SKP-L45-SI Açılı Europe tip kablo pabucu
SKP-L90-SI / SKP-L45-SI Europe type angular cable lugs

24-26



SKP-C Çift delikli sıkmalı kablo pabucu
SKP-C Tubular cable lugs with two connection holes

28



SEM-A / SEM-D Sıkmalı ek mufları
SEM-A Standard type
SEM-D DIN 46267-I type butt connectors

30-31



SKP-F Çatal tip sıkmalı kablo pabucu
SKP-F Fork type tubular cable lugs

32



AKP-D DIN 46329 Alüminyum kablo pabucu
AKP-D DIN 46329 type Aluminium cable lugs

33



AKP-DY Alüminyum kablo pabucu oksit koruma yağı
AKP-DY Aluminium cable lugs with oxide protection oil

34



AKP-DK Alüminyum kablo pabucu kalay kaplı ve oksit koruma yağı
AKP-DK Aluminium cable lugs tin plated & with oxide protection oil

35

İçindekiler index



AEM-D Alüminyum sıkmalı ek mufları
AEM-D DIN 46267-2 type aluminium
butt connectors

36

BKP-D Bimetal kablo pabuçları (AL-CU)
BKP-D Bimetallic cable lugs (AL-CU)

37

BEM-D Bimetal ek mufları (AL-CU)
BEM-D Bimetallic butt connectors
(AL-CU)

38

BPK-D Bimetal pin konektör (AL-CU)
BPK-D Bimetallic pin type connectors
(AL-CU)

39

Izoleli - İzolesiz baralar
Insulated - non insulated busbars

40-43

KY İzolesiz kablo yüksükleri
KY Non insulated cable end-sleeves

45

IKY İzoleli kablo yüksükleri
IKY Insulated cable end-sleeves

46

IKY/2 İzoleli çift girişli kabl yüksükleri
IKY/2 Insulated twin cable end-sleeves

47

SP-YK İzoleli yuvarlak tip kablo
pabuçları
SP-YK Insulated ring type terminals

48

SP-CK İzoleli çatal tip kablo pabuçları
SP-CK Insulated fork type terminals

49

SP-FD İzoleli dişi faston tip kablo uçları
SP-FD Insulated receptacles

50

SP-FE İzoleli erkek faston tip kablo uçları
SP-FE Insulated tabs

50

SP-IFD İzoleli faston tip kablo uçları
SP-IFD Fully Insulated receptacles

51

SP-FEG İzoleli geri dönüşlü faston tip
kablo uçları
SP-FEG Insulated receptacles,
multiple type

51

SP-IK İzoleli iğne tip kablo uçları
SP-IK Insulated pin type connectors

52

SP-IBU İzoleli bıçak tip kablo uçları
SP-IBU Insulated blade type terminals

52

SP-IEM İzoleli ek mufları
SP-IEM Insulated butt connectors

52

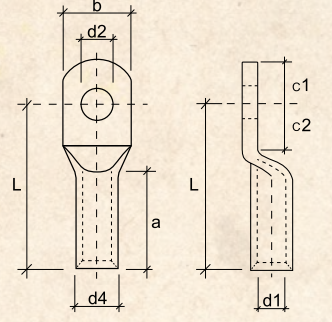
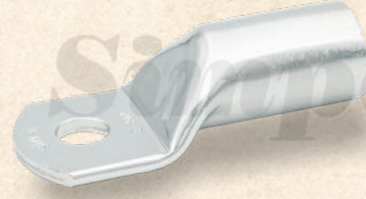
SP-ET İzoleli erkek kablo terminalleri
SP-ET Insulated male bullet connectors

53

SP-DT İzoleli dişi kablo terminalleri
SP-DT Insulated female bullet connectors

53

SKP-E



EKONOMİK TİP SIKMALI KABLO PABUCU
ECONOMIC TYPE TUBULAR CABLE LUGS
 (TAM BOYLARI STANDART TİP KABLO PABUÇLARI ÖLÇÜSÜNDEDİR)

5846 sayılı yasa gereği fotoğrafların izinsiz yayınlanması ve kullanılması kesinlikle yasaktır.

ÜRÜN KODU ORDER CODE	KABLO KESİTİ CABLE SECTION (mm)	CİVATA DELİĞİ BOLT	BOYUTLAR DIMENSIONS									KUTU ADEDİ BOX PCS.	KUTU AĞIRLIĞI BOX WEIGHT	KOLİ ADEDİ PARCEL PCS.	KOLİ AĞIRLIĞI BOX WEIGHT	BİRİM FİYATI UNIT PRICE TL
			d1	d4	a	d2	b	c1	c2	L						
SKP-E/016-M05	16	M5	5,5	7,0	12,5	5,5	10,5	7,5	7,5	24,0	500	~2,0 kg.	5.000	~20 kg.	1,05	
SKP-E/016-M06/SD		M6	5,5	7,0	12,5	6,5	10,5	7,5	7,5	24,0	500	~2,0 kg.	5.000	~20 kg.	0,95	
SKP-E/025-M05	25	M5	7,0	9,0	17,5	5,5	14,0	8,5	8,5	30,5	300	~2,4 kg.	3.000	~24 kg.	2,00	
SKP-E/025-M06		M6	7,0	9,0	17,5	6,5	14,0	8,5	8,5	30,5	300	~2,4 kg.	3.000	~24 kg.	2,00	
SKP-E/025-M08/SD		M8	7,0	9,0	17,5	8,5	14,0	8,5	8,5	30,5	300	~2,4 kg.	3.000	~24 kg.	1,90	
SKP-E/035-M06	35	M6	8,5	10,5	18,5	6,5	16,0	9,5	9,5	34,0	200	~2,2 kg.	2.000	~22 kg.	3,15	
SKP-E/035-M08/SD		M8	8,5	10,5	18,5	8,5	16,0	9,5	9,5	34,0	200	~2,2 kg.	2.000	~22 kg.	3,00	
SKP-E/050-M06	50	M6	10,0	12,0	20,0	6,5	18,0	11,0	11,0	39,5	125	~1,8 kg.	1.250	~18 kg.	3,70	
SKP-E/050-M08		M8	10,0	12,0	20,0	8,5	18,0	11,0	11,0	39,5	125	~1,9 kg.	1.250	~19 kg.	3,70	
SKP-E/050-M10/SD		M10	10,0	12,0	20,0	10,5	18,0	11,0	11,0	39,5	125	~1,8 kg.	1.250	~18 kg.	3,60	
SKP-E/070-M06	70	M6	11,5	14,0	22,0	6,5	21,0	11,0	11,0	42,0	80	~1,7 kg.	800	~17 kg.	5,80	
SKP-E/070-M08		M8	11,5	14,0	22,0	8,5	21,0	11,0	11,0	42,0	80	~1,7 kg.	800	~17 kg.	5,80	
SKP-E/070-M10/SD		M10	11,5	14,0	22,0	10,5	21,0	11,0	11,0	42,0	80	~1,7 kg.	800	~17 kg.	5,65	
SKP-E/095-M08	95	M8	13,5	16,0	25,0	8,5	24,5	12,0	12,5	48,0	60	~1,8 kg.	600	~18 kg.	7,00	
SKP-E/095-M10		M10	13,5	16,0	25,0	10,5	24,5	12,0	12,5	48,0	60	~1,9 kg.	600	~19 kg.	6,70	
SKP-E/095-M12/SD		M12	13,5	16,0	25,0	13,0	24,5	12,0	12,5	48,0	60	~1,8 kg.	600	~18 kg.	6,70	
SKP-E/120-M08	120	M8	15,5	18,0	27,0	8,5	27,0	14,0	14,0	52,0	50	~1,8 kg.	500	~18 kg.	9,10	
SKP-E/120-M10		M10	15,5	18,0	27,0	10,5	27,0	14,0	14,0	52,0	50	~1,8 kg.	500	~18 kg.	9,10	
SKP-E/120-M12/SD		M12	15,5	18,0	27,0	13,0	27,0	14,0	14,0	52,0	50	~1,8 kg.	500	~18 kg.	8,75	
SKP-E/150-M08	150	M8	16,5	20,0	29,0	8,5	29,0	14,0	14,0	54,5	35	~2,0 kg.	350	~20 kg.	14,50	
SKP-E/150-M10		M10	16,5	20,0	29,0	10,5	29,0	14,0	14,0	54,5	35	~2,0 kg.	350	~20 kg.	14,50	
SKP-E/150-M12/SD		M12	16,5	20,0	29,0	13,0	29,0	14,0	14,0	54,5	35	~2,0 kg.	350	~20 kg.	14,00	
SKP-E/185-M10	185	M10	18,5	22,0	32,0	10,5	32,0	14,5	14,5	61,5	25	~1,8 kg.	250	~18 kg.	15,75	
SKP-E/185-M12/SD		M12	18,5	22,0	32,0	13,0	32,0	14,5	14,5	61,5	25	~1,8 kg.	250	~18 kg.	15,25	
SKP-E/185-M16		M16	18,5	22,0	32,0	16,5	32,0	14,5	14,5	61,5	25	~1,8 kg.	250	~18 kg.	15,25	
SKP-E/240-M10	240	M10	21,5	25,5	36,5	10,5	37,5	16,0	16,0	69,0	20	~2,2 kg.	200	~22 kg.	21,50	
SKP-E/240-M12/SD		M12	21,5	25,5	36,5	13,0	38,0	16,0	16,0	69,0	20	~2,2 kg.	200	~22 kg.	21,50	
SKP-E/240-M16		M16	21,5	25,5	36,5	16,5	38,0	16,0	16,0	69,0	20	~2,2 kg.	200	~22 kg.	21,50	

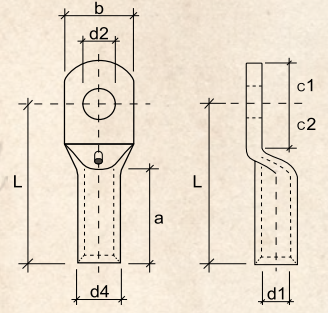
SKP-E ÖZELLİKLERİ

HAMMADDE	EN 13600 BAKIR BORU
MATERİAL	ELECTROLYTIC COPPER CONFORMED TO EN 13600
KAPLAMA	KALAY
COATING	TIN PLATED
BAĞLANTI	SIKMA
JOINT	CLAMP COUPLING
BORU ET KALINLIĞI	ORTA
THICKNESS	MEDIUM
KABLO GİRİŞİ	NORMAL
CABLE ENTRY	STANDARD

BU TABLODA KOYU YAZI KARAKTERİ İLE BELİRTİLMİŞ OLAN KABLO PABUÇLARI STANDART ÜRETİMİMİZDİR.
 THE CABLE LUGS WHICH ARE INDICATED IN BOLD FONT, ARE STANDART PRODUCTS OF **Simpa**



SKP-S/GD



GÖZLEM DELİKLİ SIKMALI KABLO PABUCU
TUBULAR CABLE LUGS WITH INSPECTION HOLE

5846 sayılı yasa gereği fotoğrafların izinsiz yayınlanması ve kullanılması kesinlikle yasaktır.

ÜRÜN KODU ORDER CODE	KABLO KESİTİ CABLE SECTION (mm)	CİVATA DELİĞİ BOLT	BOYUTLAR DIMENSIONS								KUTU ADEDİ BOX PCS.	KUTU AĞIRLIĞI BOX WEIGHT	KOLİ ADEDİ PARCEL PCS.	KOLİ AĞIRLIĞI BOX WEIGHT	BİRİM FİYATI UNIT PRICE TL
			d1	d4	a	d2	b	c1	c2	L					
SKP-S/GD/016-M06/SD	16	M06	5,5	7,5	12,5	6,5	12,0	7,5	7,5	24,0	400	~2,0 kg.	3.200	~16,0 kg	1,95
SKP-S/GD/025-M08/SD	25	M08	7,0	9,5	17,5	8,5	14,0	8,5	8,5	30,5	300	~2,5 kg.	2.400	~20,0 kg	3,10
SKP-S/GD/035-M08/SD	35	M08	8,5	11,0	19,0	8,5	16,5	9,5	9,5	34,5	200	~2,6 kg.	1.600	~20,8 kg	4,10
SKP-S/GD/050-M10/SD	50	M10	10,0	13,0	20,0	10,5	19,0	11,0	11,0	39,5	125	~2,6 kg.	1.000	~20,8 kg	6,30
SKP-S/GD/070-M10/SD	70	M10	11,5	14,5	21,5	10,5	21,0	11,0	11,0	41,5	80	~2,1 kg.	640	~16,8 kg	8,45
SKP-S/GD/095-M12/SD	95	M12	13,5	16,5	25,0	13,0	24,0	12,5	12,5	48,0	60	~1,9 kg.	480	~15,2 kg	9,00
SKP-S/GD/120-M12/SD	120	M12	14,5	18,0	27,0	13,0	26,5	14,0	14,0	52,0	50	~2,4 kg.	400	~19,2 kg	13,25
SKP-S/GD/150-M12/SD	150	M12	16,5	21,0	29,0	13,0	30,5	15,0	15,0	57,0	30	~2,4 kg.	240	~19,2 kg	19,90
SKP-S/GD/185-M12/SD	185	M12	18,5	23,0	33,0	13,0	33,5	16,0	16,0	63,0	20	~1,9 kg.	160	~15,2 kg	22,50
SKP-S/GD/240-M12/SD	240	M12	21,0	26,0	37,0	13,0	38,0	16,5	16,5	70,0	20	~2,7 kg.	160	~21,6 kg	32,00

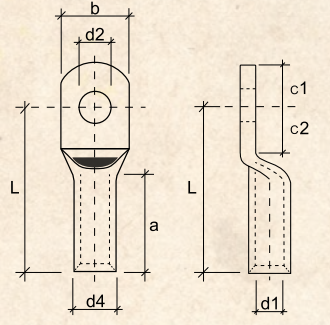
SKP-S/GD ÖZELLİKLERİ

HAM MADDE	EN 13600 BAKIR BORU
MATERİAL	ELECTROLYTIC COPPER CONFORMED TO EN 13600
KAPLAMA	KALAY
COATING	TIN PLATED
BAĞLANTI	SIKMA
JOINT	CLAMP COUPLING
BORU ET KALINLIĞI	KALIN
THICKNESS	THICK
KABLO GİRİŞİ	NORMAL
CABLE ENTRY	STANDARD

BU TABLODA KUYU YAZI KARAKTERİ İLE BELİRTİLMİŞ OLAN KABLO PABUÇLARI STANDART ÜRETİMİMİZDİR.
THE CABLE LUGS WHICH ARE INDICATED IN BOLD FONT, ARE STANDART PRODUCTS OF **Simpa**

SKP-A

AÇIK TİP SIKMALI KABLO PABUCU VISIBLE TYPE TUBULAR CABLE LUGS



5846 sayılı yasa gereği fotoğrafların izinsiz yayınlanması ve kullanılması kesinlikle yasaktır.

ÜRÜN KODU ORDER CODE	KABLO KESİTİ CABLE SECTION (mm)	CİVATA DELİĞİ BOLT	BOYUTLAR DIMENSIONS								KUTU ADEĐİ BOX PCS.	KUTU AĞIRLIĞI BOX WEIGHT	KOLİ ADEĐİ PARCEL PCS.	KOLİ AĞIRLIĞI BOX WEIGHT	BİRİM FİYATI UNIT PRICE TL
			d1	d4	a	d2	b	c1	c2	L					
SKP-A/006-M04	6	M4	4,0	5,5	9,0	4,3	9,0	6,5	6,5	18,0	1.000	~2,2 kg.	8.000	17,6 kg.	1,00
SKP-A/006-M05/SD		M5	4,0	5,5	9,0	5,3	9,0	6,5	6,5	18,0	1.000	~2,2 kg.	8.000	17,6 kg.	1,00
SKP-A/010-M04	10	M4	4,5	6,0	11,5	4,3	9,0	7,0	7,0	20,0	800	~2,2 kg.	6.400	17,6 kg.	1,15
SKP-A/010-M05/SD		M5	4,5	6,0	11,5	5,3	9,0	7,0	7,0	20,0	800	~2,2 kg.	6.400	17,6 kg.	1,10
SKP-A/016-M05	16	M5	5,5	7,5	13,0	5,3	11,5	7,5	7,5	23,5	400	~2,1 kg.	3.200	16,8 kg.	1,50
SKP-A/016-M06/SD		M6	5,5	7,5	13,0	6,5	11,5	7,5	7,5	23,5	400	~2,0 kg.	3.200	16,0 kg.	1,45
SKP-A/025-M05	25	M5	7,0	9,5	17,0	5,3	14,0	8,5	8,5	28,5	300	~2,7 kg.	2.400	21,6 kg.	2,65
SKP-A/025-M06		M6	7,0	9,5	17,0	6,5	14,0	8,5	8,5	28,5	300	~2,7 kg.	2.400	21,6 kg.	2,65
SKP-A/025-M08/SD		M8	7,0	9,5	17,0	8,5	14,0	8,5	8,5	28,5	300	~2,7 kg.	2.400	21,6 kg.	2,60
SKP-A/035-M06	35	M6	8,5	11,0	19,5	6,5	17,0	9,5	9,5	33,0	200	~2,6 kg.	1.600	20,8 kg.	3,65
SKP-A/035-M08/SD		M8	8,5	11,0	19,5	8,5	17,0	9,5	9,5	33,0	200	~2,7 kg.	1.600	21,6 kg.	3,55
SKP-A/035-M10		M10	8,5	11,0	19,5	10,5	17,0	10,0	10,0	33,0	200	~2,5 kg.	1.600	20,0 kg.	3,65
SKP-A/050-M06	50	M6	10,0	13,0	21,0	6,5	19,0	11,0	11,0	37,5	125	~2,6 kg.	1.000	20,8 kg.	5,60
SKP-A/050-M08		M8	10,0	13,0	21,0	8,5	19,0	11,0	11,0	37,5	125	~2,8 kg.	1.000	22,4 kg.	5,60
SKP-A/050-M10/SD		M10	10,0	13,0	21,0	10,5	19,0	11,0	11,0	37,5	125	~2,6 kg.	1.000	20,8 kg.	5,60
SKP-A/050-M12		M12	10,0	13,0	21,0	13,0	19,0	11,0	11,0	37,5	125	~2,5 kg.	1.000	20,0 kg.	5,85
SKP-A/070-M06	70	M6	11,5	14,5	24,0	6,5	21,5	11,0	11,0	40,0	80	~2,2 kg.	640	17,6 kg.	7,15
SKP-A/070-M08		M8	11,5	14,5	24,0	8,5	21,5	11,0	11,0	40,0	80	~2,1 kg.	640	16,8 kg.	7,25
SKP-A/070-M10/SD		M10	11,5	14,5	24,0	10,5	21,5	11,0	11,0	40,0	80	~2,1 kg.	640	16,8 kg.	7,25
SKP-A/070-M12		M12	11,5	14,5	24,0	13,0	21,5	11,0	11,0	40,0	80	~1,9 kg.	640	15,2 kg.	7,65
SKP-A/070-M14		M14	11,5	14,5	24,0	14,5	21,5	11,0	11,0	40,0	80	~1,9 kg.	640	15,2 kg.	9,15
SKP-A/095-M08	95	M8	13,5	16,5	27,0	8,5	24,0	12,0	12,5	45,5	60	~2,0 kg.	480	16,0 kg.	8,60
SKP-A/095-M10		M10	13,5	16,5	27,0	10,5	24,0	12,0	12,5	45,5	60	~2,0 kg.	480	16,0 kg.	8,10
SKP-A/095-M12/SD		M12	13,5	16,5	27,0	13,0	24,0	12,0	12,5	45,5	60	~1,9 kg.	480	15,2 kg.	8,10
SKP-A/120-M08	120	M8	14,5	18,0	30,0	8,5	27,0	14,0	14,0	50,5	50	~2,4 kg.	400	19,2 kg.	12,00
SKP-A/120-M10		M10	14,5	18,0	30,0	10,5	27,0	14,0	14,0	50,5	50	~2,4 kg.	400	19,2 kg.	12,00
SKP-A/120-M12/SD		M12	14,5	18,0	30,0	13,0	27,0	14,0	14,0	50,5	50	~2,4 kg.	400	19,2 kg.	12,00
SKP-A/120-M14		M14	14,5	18,0	30,0	14,5	27,0	14,0	14,0	50,5	50	~2,3 kg.	400	18,4 kg.	12,00
SKP-A/120-M16		M16	14,5	18,0	30,0	16,5	27,0	14,0	14,0	50,5	50	~2,3 kg.	400	18,4 kg.	12,25
SKP-A/150-M08	150	M8	16,5	21,0	31,5	8,5	30,5	14,0	14,0	54,5	30	~2,4 kg.	240	19,2 kg.	19,00
SKP-A/150-M10		M10	16,5	21,0	31,5	10,5	30,5	14,0	14,0	54,5	30	~2,4 kg.	240	19,2 kg.	19,00
SKP-A/150-M12/SD		M12	16,5	21,0	31,5	13,0	30,5	15,0	15,0	54,5	30	~2,3 kg.	240	18,4 kg.	18,00
SKP-A/150-M14		M14	16,5	21,0	31,5	14,5	30,5	15,0	15,0	54,5	30	~2,3 kg.	240	18,4 kg.	18,80
SKP-A/150-M16		M16	16,5	21,0	31,5	16,5	30,5	15,0	15,0	54,5	30	~2,2 kg.	240	17,6 kg.	19,00
SKP-A/150-M20		M20	16,5	21,0	31,5	21,0	30,5	15,0	15,0	54,5	30	~2,1 kg.	240	16,8 kg.	19,00
SKP-A/185-M10	185	M10	18,5	23,0	34,5	10,5	33,5	16,0	16,0	61,0	20	~1,9 kg.	160	15,2 kg.	21,25
SKP-A/185-M12/SD		M12	18,5	23,0	34,5	13,0	33,5	16,0	16,0	61,0	20	~1,9 kg.	160	15,2 kg.	21,00
SKP-A/185-M14		M14	18,5	23,0	34,5	14,5	33,5	16,0	16,0	61,0	20	~1,8 kg.	160	14,4 kg.	21,00
SKP-A/185-M16		M16	18,5	23,0	34,5	16,5	33,5	16,0	16,0	61,0	20	~1,8 kg.	160	14,4 kg.	21,00
SKP-A/185-M20		M20	18,5	23,0	34,5	21,0	33,5	16,0	16,0	61,0	20	~1,7 kg.	160	13,6 kg.	21,75

ÜRÜN KODU ORDER CODE	KABLO KESİTİ CABLE SECTION (mm)	CİVATA DELİĞİ BOLT	BOYUTLAR DIMENSIONS								KUTU ADEĐİ BOX PCS.	KUTU AGIRLIĞI BOX WEIGHT	KOLİ ADEĐİ PARCEL PCS.	KOLİ AGIRLIĞI BOX WEIGHT	BİRİM FİYATI UNIT PRICE TL
			d1	d4	a	d2	b	c1	c2	L					
SKP-A/240-M10	240	M10	21,0	26,0	39,0	10,5	38,0	16,5	16,5	65,5	20	~2,5 kg.	160	20,0 kg.	29,50
SKP-A/240-M12/SD		M12	21,0	26,0	39,0	13,0	38,0	16,5	16,5	65,5	20	~2,5 kg.	160	20,0 kg.	28,50
SKP-A/240-M14		M14	21,0	26,0	39,0	14,5	38,0	16,5	16,5	65,5	20	~2,5 kg.	160	20,0 kg.	28,50
SKP-A/240-M16		M16	21,0	26,0	39,0	16,5	38,0	16,5	16,5	65,5	20	~2,4 kg.	160	19,2 kg.	28,50
SKP-A/240-M20		M20	21,0	26,0	39,0	21,0	38,0	16,5	16,5	65,5	20	~2,4 kg.	160	19,2 kg.	29,50
SKP-A/300-M12	300	M12	23,5	28,5	42,5	13,0	42,0	19,0	22,0	77,0	16	~2,8 kg.	128	22,4 kg.	36,00
SKP-A/300-M14		M14	23,5	28,5	42,5	15,0	42,0	19,0	22,0	77,0	16	~2,8 kg.	128	22,4 kg.	36,00
SKP-A/300-M16/SD		M16	23,5	28,5	42,5	17,0	42,0	19,0	22,0	77,0	16	~2,8 kg.	128	22,4 kg.	36,00
SKP-A/300-M20		M20	23,5	28,5	42,5	21,0	42,0	19,0	22,0	77,0	16	~2,7 kg.	128	21,6 kg.	36,00

SKP-A ÖZELLİKLERİ

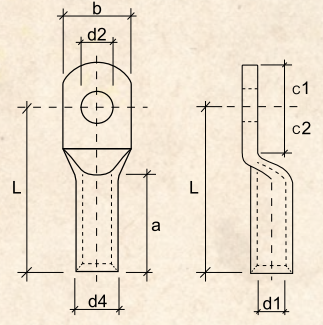
HAMMADDE MATERIAL	EN 13600 BAKIR BORU ELECTROLYTIC COPPER CONFORMED TO EN 13600
KAPLAMA COATING	KALAY TIN PLATED
BAĞLANTI JOINT	SIKMA VEYA LEHİM CLAMP COUPLING OR SOLDER
BORU ET KALINLIĞI THICKNESS	KALIN THICK
KABLO GİRİŞİ CABLE ENTRY	NORMAL STANDARD

BU TABLODA KOYU YAZI KARAKTERİ İLE BELİRTİLMİŞ OLAN KABLO PABUÇLARI STANDART ÜRETİMİMİZDİR.
THE CABLE LUGS WHICH ARE INDICATED IN BOLD FONT, ARE STANDART PRODUCTS OF **Simpa**



SKP-S

STANDART TİP SIKMALI KABLO PABUCU STANDARD TYPE TUBULAR CABLE LUGS



5846 sayılı yasa gereği fotoğrafların izinsiz yayınlanması ve kullanılması kesinlikle yasaktır.

ÜRÜN KODU ORDER CODE	KABLO KESİTİ CABLE SECTION (mm)	CİVATA DELİĞİ BOLT	BOYUTLAR DIMENSIONS								KUTU ADEĐİ BOX PCS.	KUTU AĞIRLIĞI BOX WEIGHT	KOLİ ADEĐİ PARCEL PCS.	KOLİ AĞIRLIĞI BOX WEIGHT	BİRİM FİYATI UNIT PRICE TL
			d1	d4	a	d2	b	c1	c2	L					
SKP-S/006-M04	6	M4	4,0	5,5	9,5	4,3	9,0	6,5	6,5	19,0	1.000	~2,3 kg.	8.000	~18,4 kg.	1,15
SKP-S/006-M05/SD		M5	4,0	5,5	9,5	5,3	9,0	6,5	6,5	19,0	1.000	~2,2 kg.	8.000	~17,6 kg.	1,15
SKP-S/006-M06		M6	4,0	6,0	11,0	6,4	11,0	7,0	7,0	21,0	700	~2,4 kg.	5.600	~20,0 kg.	1,35
SKP-S/006-M08		M8	4,0	6,0	11,0	8,4	13,5	8,0	8,0	22,5	600	~2,2 kg.	4.800	~17,6 kg.	1,50
SKP-S/010-M04	10	M4	4,5	6,0	10,5	4,3	9,0	7,0	7,0	21,0	800	~2,3 kg.	6.400	~18,4 kg.	1,20
SKP-S/010-M05/SD		M5	4,5	6,0	10,5	5,3	10,0	7,0	7,0	21,0	800	~2,3 kg.	6.400	~18,4 kg.	1,15
SKP-S/010-M06		M6	4,5	6,5	12,0	6,4	11,0	7,0	7,0	23,0	700	~2,9 kg.	5.600	~23,2 kg.	1,20
SKP-S/010-M08		M8	4,5	6,5	12,0	8,4	14,0	8,0	8,0	24,5	600	~2,5 kg.	4.800	~20,0 kg.	1,25
SKP-S/010-M10	M10	4,5	6,5	12,0	10,5	16,0	9,0	9,0	26,0	500	~2,2 kg.	4.000	~17,6 kg.	1,80	
SKP-S/016-M05	16	M5	5,5	7,5	12,5	5,3	12,0	7,5	7,5	24,0	400	~2,2 kg.	3.200	~17,6 kg.	1,70
SKP-S/016-M06/SD		M6	5,5	7,5	12,5	6,5	12,0	7,5	7,5	24,0	400	~2,1 kg.	3.200	~16,8 kg.	1,70
SKP-S/016-M08		M8	5,5	7,5	13,0	8,4	13,5	8,0	8,0	25,5	500	~2,6 kg.	4.000	~20,8 kg.	1,80
SKP-S/016-M10		M10	5,5	7,5	13,0	10,5	16,0	9,0	9,0	27,0	400	~2,2 kg.	3.200	~17,6 kg.	2,10
SKP-S/025-M06	25	M6	7,0	9,5	17,5	6,5	14,0	8,5	8,5	30,5	300	~2,8 kg.	2.400	~22,4 kg.	2,90
SKP-S/025-M08/SD		M8	7,0	9,5	17,5	8,5	14,0	8,5	8,5	30,5	300	~3,0 kg.	2.400	~24,0 kg.	2,80
SKP-S/025-M10		M10	7,0	9,5	17,5	10,5	16,0	10,0	10,0	31,5	250	~2,4 kg.	2.000	~19,2 kg.	3,10
SKP-S/025-M12		M12	7,0	9,5	17,5	13,0	18,0	11,0	11,0	35,0	200	~2,2 kg.	1.600	~17,6 kg.	3,50
SKP-S/035-M06	35	M6	8,5	11,0	19,0	6,5	17,0	9,5	9,5	34,5	200	~2,9 kg.	1.600	~23,2 kg.	3,90
SKP-S/035-M08/SD		M8	8,5	11,0	19,0	8,5	17,0	9,5	9,5	34,5	200	~2,7 kg.	1.600	~21,6 kg.	3,75
SKP-S/035-M10		M10	8,5	11,0	19,0	10,5	17,5	10,0	10,0	34,5	200	~2,6 kg.	1.600	~20,8 kg.	3,75
SKP-S/035-M12		M12	8,5	11,0	19,0	13,0	18,5	11,0	11,0	36,5	150	~2,1 kg.	1.200	~16,8 kg.	4,25
SKP-S/050-M06	50	M6	10,0	13,0	20,0	6,5	19,0	11,0	11,0	39,5	125	~2,9 kg.	1.000	~23,2 kg.	5,90
SKP-S/050-M08		M8	10,0	13,0	20,0	8,5	19,0	11,0	11,0	39,5	125	~2,9 kg.	1.000	~23,2 kg.	5,90
SKP-S/050-M10/SD		M10	10,0	13,0	20,0	10,5	19,0	11,0	11,0	39,5	125	~2,8 kg.	1.000	~22,4 kg.	5,90
SKP-S/050-M12		M12	10,0	13,0	20,0	13,0	19,0	11,0	11,0	39,5	125	~2,6 kg.	1.000	~20,8 kg.	6,20
SKP-S/050-M14	M14	10,0	13,0	20,0	14,5	21,0	13,0	13,0	42,0	100	~2,3 kg.	800	~18,4 kg.	7,00	
SKP-S/070-M06	70	M6	11,5	14,5	21,5	6,5	21,5	11,0	11,0	41,5	80	~2,3 kg.	640	~18,4 kg.	7,90
SKP-S/070-M08		M8	11,5	14,5	21,5	8,5	21,5	11,0	11,0	41,5	80	~2,1 kg.	640	~16,8 kg.	7,90
SKP-S/070-M10/SD		M10	11,5	14,5	21,5	10,5	21,5	11,0	11,0	41,5	80	~2,1 kg.	640	~16,8 kg.	7,90
SKP-S/070-M12		M12	11,5	14,5	21,5	13,0	21,5	11,0	11,0	41,5	80	~2,1 kg.	640	~16,8 kg.	8,45
SKP-S/070-M14	M14	11,5	14,5	21,5	14,5	23,0	13,0	13,0	44,0	70	~2,0 kg.	560	~16,0 kg.	10,10	
SKP-S/070-M16	M16	11,5	14,5	21,5	16,5	23,0	16,0	16,0	46,5	70	~2,0 kg.	560	~16,0 kg.	10,20	
SKP-S/095-M06	95	M6	13,5	16,5	25,0	6,5	24,0	12,0	12,5	48,0	60	~2,2 kg.	480	~17,6 kg.	9,50
SKP-S/095-M08		M8	13,5	16,5	25,0	8,5	24,0	12,0	12,5	48,0	60	~2,2 kg.	480	~17,6 kg.	8,95
SKP-S/095-M10		M10	13,5	16,5	25,0	10,5	24,0	12,0	12,5	48,0	60	~2,2 kg.	480	~17,6 kg.	8,45
SKP-S/095-M12/SD		M12	13,5	16,5	25,0	13,0	24,0	12,0	12,5	48,0	60	~2,1 kg.	480	~16,8 kg.	8,45
SKP-S/095-M14	M14	13,5	16,5	25,0	14,5	26,0	14,0	14,0	50,0	50	~1,9 kg.	400	~15,2 kg.	11,70	
SKP-S/095-M16	M16	13,5	16,5	25,0	16,5	26,0	16,0	16,0	52,0	50	~1,9 kg.	400	~15,2 kg.	11,70	
SKP-S/120-M08	120	M8	14,5	18,0	27,0	8,5	27,0	14,0	14,0	52,0	50	~2,4 kg.	400	~19,2 kg.	12,00
SKP-S/120-M10		M10	14,5	18,0	27,0	10,5	27,0	14,0	14,0	52,0	50	~2,4 kg.	400	~19,2 kg.	12,00
SKP-S/120-M12/SD		M12	14,5	18,0	27,0	13,0	27,0	14,0	14,0	52,0	50	~2,4 kg.	400	~19,2 kg.	12,00
SKP-S/120-M14		M14	14,5	18,0	27,0	14,5	27,0	14,0	14,0	52,0	50	~1,8 kg.	400	~14,4 kg.	12,00
SKP-S/120-M16	M16	14,5	18,0	27,0	16,5	27,0	14,0	14,0	52,0	50	~1,8 kg.	400	~14,4 kg.	12,50	
SKP-S/120-M20	M20	14,5	18,0	27,0	21,0	27,0	16,0	16,0	54,0	40	~1,9 kg.	320	~15,2 kg.	13,00	

ÜRÜN KODU ORDER CODE	KABLO KESİTİ CABLE SECTION (mm)	CİVATA DELİĞİ BOLT	BOYUTLAR DIMENSIONS								KUTU ADEĐİ BOX PCS.	KUTU AGIRLIĞI BOX WEIGHT	KOLİ ADEĐİ PARCEL PCS.	KOLİ AGIRLIĞI BOX WEIGHT	BİRİM FİYATI UNIT PRICE TL
			d1	d4	a	d2	b	c1	c2	L					
SKP-S/150-M06	150	M6	16,5	21,0	29,0	6,5	30,5	14,0	14,0	57,0	30	~2,5 kg.	240	~20,0 kg.	19,85
SKP-S/150-M08		M8	16,5	21,0	29,0	8,5	30,5	14,0	14,0	57,0	30	~2,5 kg.	240	~20,0 kg.	19,85
SKP-S/150-M10		M10	16,5	21,0	29,0	10,5	30,5	14,0	14,0	57,0	30	~2,5 kg.	240	~20,0 kg.	19,45
SKP-S/150-M12/SD		M12	16,5	21,0	29,0	13,0	30,5	15,0	15,0	57,0	30	~2,5 kg.	240	~20,0 kg.	18,60
SKP-S/150-M14		M14	16,5	21,0	29,0	14,5	30,5	15,0	15,0	57,0	30	~2,3 kg.	240	~18,4 kg.	19,45
SKP-S/150-M16		M16	16,5	21,0	29,0	16,5	30,5	15,0	15,0	57,0	30	~2,3 kg.	240	~18,4 kg.	19,85
SKP-S/150-M20		M20	16,5	21,0	29,0	21,0	30,5	15,0	15,0	57,0	30	~2,2 kg.	240	~17,6 kg.	19,85
SKP-S/185-M10	185	M10	18,5	23,0	33,0	10,5	33,5	16,0	16,0	63,0	20	~2,0 kg.	160	~16,0 kg.	21,50
SKP-S/185-M12/SD		M12	18,5	23,0	33,0	13,0	33,5	16,0	16,0	63,0	20	~2,0 kg.	160	~16,0 kg.	21,50
SKP-S/185-M14		M14	18,5	23,0	33,0	14,5	33,5	16,0	16,0	63,0	20	~1,9 kg.	160	~15,2 kg.	21,50
SKP-S/185-M16		M16	18,5	23,0	33,0	16,5	33,5	16,0	16,0	63,0	20	~1,9 kg.	160	~15,2 kg.	21,50
SKP-S/185-M20		M20	18,5	23,0	33,0	21,0	33,5	16,0	16,0	63,0	20	~1,8 kg.	160	~14,4 kg.	22,50
SKP-S/240-M10	240	M10	21,0	26,0	37,0	10,5	38,0	16,5	16,5	70,0	20	~2,8 kg.	160	~22,4 kg.	30,50
SKP-S/240-M12/SD		M12	21,0	26,0	37,0	13,0	38,0	16,5	16,5	70,0	20	~2,7 kg.	160	~21,6 kg.	29,50
SKP-S/240-M14		M14	21,0	26,0	37,0	14,5	38,0	16,5	16,5	70,0	20	~2,6 kg.	160	~20,8 kg.	29,50
SKP-S/240-M16		M16	21,0	26,0	37,0	16,5	38,0	16,5	16,5	70,0	20	~2,6 kg.	160	~20,8 kg.	29,50
SKP-S/240-M20		M20	21,0	26,0	37,0	21,0	38,0	16,5	16,5	70,0	20	~2,5 kg.	160	~20,0 kg.	30,50
SKP-S/300-M10	300	M10	23,5	28,5	41,0	10,5	42,0	19,0	22,0	80,0	16	~2,8 kg.	128	~22,4 kg.	37,50
SKP-S/300-M12		M12	23,5	28,5	41,0	13,0	42,0	19,0	22,0	80,0	16	~2,8 kg.	128	~22,4 kg.	37,50
SKP-S/300-M14		M14	23,5	28,5	41,0	15,0	42,0	19,0	22,0	80,0	16	~2,7 kg.	128	~21,6 kg.	37,50
SKP-S/300-M16/SD		M16	23,5	28,5	41,0	17,0	42,0	19,0	22,0	80,0	16	~2,6 kg.	128	~20,8 kg.	37,50
SKP-S/300-M20		M20	23,5	28,5	41,0	21,0	42,0	19,0	22,0	80,0	16	~2,5 kg.	128	~20,0 kg.	37,50
SKP-S/400-M12	400	M12	27,0	33,0	46,0	13,0	48,0	20,0	20,0	90,0	6	~1,7 kg.	48	~13,6 kg.	59,00
SKP-S/400-M14		M14	27,0	33,0	46,0	15,0	48,0	20,0	20,0	90,0	6	~1,7 kg.	48	~13,6 kg.	59,00
SKP-S/400-M16/SD		M16	27,0	33,0	46,0	17,0	48,0	20,0	20,0	90,0	6	~1,6 kg.	48	~12,8 kg.	59,00
SKP-S/400-M20		M20	27,0	33,0	46,0	21,0	48,0	20,0	20,0	90,0	6	~1,7 kg.	48	~13,6 kg.	63,00
SKP-S/500-M16	500	M16	30,0	38,0	56,0	17,0	55,0	22,0	22,0	100,0	5	~2,2 kg.	40	~17,6 kg.	102,00
SKP-S/500-M20/SD		M20	30,0	38,0	56,0	21,0	55,0	22,0	22,0	100,0	5	~2,1 kg.	40	~16,8 kg.	102,00
SKP-S/625-M16	625	M16	34,0	42,0	60,0	17,0	61,0	23,0	23,0	113,0	4	~2,3 kg.	32	~18,4 kg.	180,00
SKP-S/625-M20/SD		M20	34,0	42,0	60,0	21,0	61,0	23,0	23,0	113,0	4	~2,3 kg.	32	~18,4 kg.	180,00

SKP-S ÖZELLİKLERİ

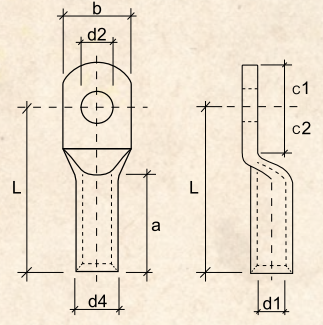
HAMMADDE	EN 13600 BAKIR BORU
METERIAL	ELECTROLYTIC COPPER CONFORMED TO EN 13600
KAPLAMA	KALAY
COATING	TIN PLATED
BAGLANTI	SIKMA
JOINT	CLAMP COUPLING
BORU ET KALINLIĞI	KALIN
THICKNESS	THICK
KABLO GİRİŞİ	NORMAL
CABLE ENTRY	STANDARD

BU TABLODA KOYU YAZI KARAKTERİ İLE BELİRTİLMİŞ OLAN KABLO PABUÇLARI STANDART ÜRETİMİZDİR.
THE CABLE LUGS WHICH ARE INDICATED IN BOLD FONT, ARE STANDART PRODUCTS OF **Simpa**



SKP-S1

EUROPE TİP SIKMALI KABLO PABUCU EUROPE TYPE TUBULAR CABLE LUGS



5846 sayılı yasa gereği fotoğrafların izinsiz yayınlanması ve kullanılması kesinlikle yasaktır.

ÜRÜN KODU ORDER CODE	KABLO KESİTİ CABLE SECTION (mm)	CİVATA DELİĞİ BOLT	BOYUTLAR DIMENSIONS								KUTU ADEĐİ BOX PCS.	KUTU AĞIRLIĞI BOX WEIGHT	KOLİ ADEĐİ PARCEL PCS.	KOLİ AĞIRLIĞI BOX WEIGHT	BİRİM FİYATI UNIT PRICE TL
			d1	d4	a	d2	b	c1	c2	L					
SKP-S1/002,5-M04	2.5	M4	2,3	4,2	6,0	4,3	7,5	4,0	5,0	13,0	1000	~1,2 kg.	6000	~7,2 kg.	1,15
SKP-S1/002,5-M05/SD		M5	2,3	4,2	6,0	5,3	8,5	4,75	5,5	14,0	1000	~1,3 kg.	6000	~7,8 kg.	1,20
SKP-S1/002,5-M06		M6	2,3	4,2	6,0	6,5	9,5	6,5	6,5	16,0	1000	~1,5 kg.	6000	~9,0 kg.	1,25
SKP-S1/004-M05/SD	4	M5	3,0	5,0	8,0	5,3	9,0	4,75	6,0	18,0	700	~1,6 kg.	4200	~9,6 kg.	1,35
SKP-S1/004-M06		M6	3,0	5,0	8,0	6,5	10,0	6,5	6,5	19,0	700	~1,8 kg.	4200	~10,8 kg.	1,40
SKP-S1/004-M08		M8	3,0	5,0	8,0	8,5	13,0	8,5	9,5	22,0	700	~2,2 kg.	4200	~15,4 kg.	1,45
SKP-S1/006-M06/SD	6	M6	3,5	6,5	9,0	6,5	12,0	6,5	7,5	21,0	500	~2,4 kg.	3000	~14,4 kg.	1,60
SKP-S1/006-M08		M8	3,5	6,5	9,0	8,5	15,0	10,0	10,0	23,0	500	~2,8 kg.	3000	~16,8 kg.	1,65
SKP-S1/006-M10		M10	3,5	6,5	9,0	10,5	17,0	12,0	12,0	25,0	500	~3,0 kg.	3000	~18,0 kg.	2,40
SKP-S1/006-M12		M12	3,5	6,5	9,0	13,0	19,0	13,0	13,0	28,0	500	~3,5 kg.	3000	~21,0 kg.	2,80
SKP-S1/010-M05	10	M5	4,5	7,0	10,0	5,5	12,0	6,5	7,5	22,0	500	~2,1 kg.	3.000	~12,6 kg.	1,60
SKP-S1/010-M06/SD		M6	4,5	7,0	10,0	6,5	12,0	6,2	7,5	22,0	500	~2,1 kg.	3.000	~12,6 kg.	1,60
SKP-S1/010-M08		M8	4,5	7,5	10,0	8,5	15,0	10,0	10,0	25,0	400	~2,4 kg.	2.400	~14,4 kg.	1,90
SKP-S1/010-M10		M10	4,5	7,5	10,0	10,5	17,0	12,0	12,0	27,0	400	~2,6 kg.	2.400	~15,6 kg.	2,10
SKP-S1/010-M12	M12	4,5	7,5	10,0	13,0	19,0	13,0	13,0	29,0	400	~2,7 kg.	2.400	~16,2 kg.	2,75	
SKP-S1/016-M05	16	M5	5,5	8,5	13,0	5,5	12,0	5,5	6,5	26,0	400	~2,2 kg.	2.400	~13,2 kg.	2,60
SKP-S1/016-M06		M6	5,5	8,5	13,0	6,5	12,0	6,2	7,5	27,0	400	~3,4 kg.	2.400	~20,4 kg.	2,60
SKP-S1/016-M08/SD		M8	5,5	8,5	13,0	8,4	15,0	8,5	9,5	29,0	300	~2,8 kg.	1.800	~16,8 kg.	2,60
SKP-S1/016-M10		M10	5,5	8,5	13,0	10,5	17,0	10,5	11,5	31,0	300	~3,0 kg.	1.800	~18,0 kg.	3,15
SKP-S1/016-M12		M12	5,5	8,5	13,0	13,0	19,0	13,0	13,0	33,0	250	~2,6 kg.	1.500	~15,6 kg.	3,75
SKP-S1/025-M05	25	M5	7,0	10,0	15,0	5,5	14,0	7,5	7,5	30,0	200	~2,5 kg.	1.200	~15,0 kg.	3,60
SKP-S1/025-M06		M6	7,0	10,0	15,0	6,5	14,0	7,5	7,5	30,0	200	~2,4 kg.	1.200	~14,4 kg.	3,60
SKP-S1/025-M08/SD		M8	7,0	10,0	15,0	8,4	16,0	10,0	10,0	32,0	200	~2,7 kg.	1.200	~16,2 kg.	3,60
SKP-S1/025-M10		M10	7,0	10,0	15,0	10,5	18,0	12,0	12,0	34,0	200	~2,8 kg.	1.200	~16,8 kg.	4,10
SKP-S1/025-M12	M12	7,0	10,0	15,0	13,0	19,0	13,0	13,0	35,0	200	~2,8 kg.	1.200	~16,8 kg.	4,60	
SKP-S1/035-M06	35	M6	8,5	12,0	17,0	6,5	17,0	7,5	7,5	32,0	125	~2,3 kg.	750	~13,8 kg.	5,30
SKP-S1/035-M08/SD		M8	8,5	12,0	17,0	8,4	17,0	10,0	10,0	34,0	125	~2,5 kg.	750	~15,0 kg.	5,30
SKP-S1/035-M10		M10	8,5	12,0	17,0	10,5	19,0	12,0	12,0	37,0	125	~2,7 kg.	750	~16,2 kg.	6,00
SKP-S1/035-M12		M12	8,5	12,0	17,0	13,0	21,0	13,0	13,0	38,0	125	~2,7 kg.	750	~16,2 kg.	6,50
SKP-S1/035-M16		M16	8,5	12,0	17,0	17,0	26,0	16,0	16,0	42,0	100	~2,9 kg.	600	~17,4 kg.	8,00
SKP-S1/050-M06	50	M6	10,0	14,0	19,0	6,5	20,0	10,0	10,0	37,0	80	~2,4 kg.	480	~14,4 kg.	8,50
SKP-S1/050-M08		M8	10,0	14,0	19,0	8,5	20,0	10,0	10,0	37,0	80	~2,3 kg.	480	~13,8 kg.	8,50
SKP-S1/050-M10/SD		M10	10,0	14,0	19,0	10,5	20,0	12,0	12,0	39,0	80	~2,5 kg.	480	~15,0 kg.	8,00
SKP-S1/050-M12		M12	10,0	14,0	19,0	13,0	23,0	13,0	13,0	43,0	80	~2,7 kg.	480	~16,2 kg.	9,50
SKP-S1/050-M14		M14	10,0	14,0	19,0	15,0	23,0	14,5	14,5	45,0	80	~2,7 kg.	480	~16,2 kg.	9,55
SKP-S1/050-M16		M16	10,0	14,0	19,0	17,0	28,0	16,0	16,0	46,0	80	~2,8 kg.	480	~16,8 kg.	11,30
SKP-S1/050-M20		M20	10,0	14,0	19,0	21,0	30,0	19,0	19,0	48,0	80	~2,7 kg.	480	~16,2 kg.	12,50
SKP-S1/070-M06	70	M6	12,0	16,5	21,0	6,5	23,0	10,0	10,0	43,0	60	~2,8 kg.	360	~16,8 kg.	11,85
SKP-S1/070-M08		M8	12,0	16,5	21,0	8,5	23,0	10,0	10,0	43,0	60	~2,7 kg.	360	~16,2 kg.	11,75
SKP-S1/070-M10/SD		M10	12,0	16,5	21,0	10,5	23,0	12,0	12,0	44,0	60	~2,8 kg.	360	~16,8 kg.	11,75
SKP-S1/070-M12		M12	12,0	16,5	21,0	13,0	23,0	13,0	13,0	46,0	60	~2,9 kg.	360	~17,4 kg.	13,00
SKP-S1/070-M14		M14	12,0	16,5	21,0	15,0	23,0	14,5	14,5	48,0	60	~2,9 kg.	360	~17,4 kg.	13,50
SKP-S1/070-M16		M16	12,0	16,5	21,0	17,0	28,0	16,0	16,0	50,0	50	~2,6 kg.	300	~15,6 kg.	17,25
SKP-S1/070-M20		M20	12,0	16,5	21,0	21,0	30,0	19,0	19,0	53,0	50	~2,6 kg.	300	~15,6 kg.	19,00

ÜRÜN KODU ORDER CODE	KABLO KESİTİ CABLE SECTION (mm)	CİVATA DELİĞİ BOLT	BOYUTLAR DIMENSIONS								KUTU ADEĐİ BOX PCS.	KUTU AGIRLIĞI BOX WEIGHT	KOLİ ADEĐİ PARCEL PCS.	KOLİ AGIRLIĞI BOX WEIGHT	BİRİM FİYATI UNIT PRICE TL
			d1	d4	a	d2	b	c1	c2	L					
SKP-S1/095-M08	95	M8	13,5	18,0	25,0	8,5	26,0	12,0	12,0	48,0	50	~2,9 kg.	300	~17,4 kg.	13,25
SKP-S1/095-M10		M10	13,5	18,0	25,0	10,5	26,0	12,0	12,0	48,0	50	~2,9 kg.	300	~17,4 kg.	13,25
SKP-S1/095-M12/SD		M12	13,5	18,0	25,0	13,0	26,0	13,0	13,0	49,0	50	~2,8 kg.	300	~16,8 kg.	13,25
SKP-S1/095-M14		M14	13,5	18,0	25,0	15,0	26,0	14,5	14,5	51,0	50	~2,9 kg.	300	~17,4 kg.	13,50
SKP-S1/095-M16		M16	13,5	18,0	25,0	17,0	28,0	16,0	16,0	54,0	50	~3,0 kg.	300	~18,0 kg.	14,00
SKP-S1/095-M20		M20	13,5	18,0	25,0	21,0	36,0	22,0	22,0	60,0	40	~2,8 kg.	240	~16,8 kg.	19,00
SKP-S1/120-M08	120	M8	15,0	19,5	26,0	8,5	28,0	14,0	14,0	51,0	40	~2,7 kg.	240	~16,2 kg.	14,35
SKP-S1/120-M10		M10	15,0	19,5	26,0	10,5	28,0	14,0	14,0	51,0	40	~2,7 kg.	240	~16,2 kg.	14,35
SKP-S1/120-M12/SD		M12	15,0	19,5	26,0	13,0	28,0	14,0	14,0	51,0	40	~2,6 kg.	240	~15,6 kg.	14,35
SKP-S1/120-M14		M14	15,0	19,5	26,0	15,0	28,0	15,0	15,0	52,0	40	~2,6 kg.	240	~15,6 kg.	14,35
SKP-S1/120-M16		M16	15,0	19,5	26,0	17,0	30,0	16,0	16,0	54,0	40	~2,7 kg.	240	~16,2 kg.	14,65
SKP-S1/120-M20		M20	15,0	19,5	26,0	21,0	36,0	22,0	22,0	63,0	30	~2,4 kg.	180	~14,4 kg.	18,25
SKP-S1/150-M08	150	M8	16,5	21,0	30,0	8,5	31,0	14,0	14,0	56,0	30	~2,4 kg.	180	~14,4 kg.	17,50
SKP-S1/150-M10		M10	16,5	21,0	30,0	10,5	31,0	14,0	14,0	56,0	30	~2,4 kg.	180	~14,4 kg.	18,50
SKP-S1/150-M12/SD		M12	16,5	21,0	30,0	13,0	31,0	15,0	15,0	57,0	30	~2,4 kg.	180	~14,4 kg.	18,50
SKP-S1/150-M14		M14	16,5	21,0	30,0	15,0	31,0	15,0	15,0	57,0	30	~2,4 kg.	180	~14,4 kg.	18,50
SKP-S1/150-M16		M16	16,5	21,0	30,0	17,0	31,0	16,0	16,0	58,0	30	~2,3 kg.	180	~13,8 kg.	18,50
SKP-S1/150-M20		M20	16,5	21,0	30,0	21,0	36,0	22,0	22,0	66,0	30	~2,7 kg.	180	~16,2 kg.	20,00
SKP-S1/185-M10	185	M10	19,0	24,0	30,0	10,5	35,0	18,0	18,0	65,0	20	~2,5 kg.	120	~15,0 kg.	23,25
SKP-S1/185-M12		M12	19,0	24,0	30,0	13,0	35,0	18,0	18,0	65,0	20	~2,4 kg.	120	~14,4 kg.	23,25
SKP-S1/185-M14		M14	19,0	24,0	30,0	15,0	35,0	18,0	18,0	65,0	20	~2,3 kg.	120	~13,8 kg.	23,25
SKP-S1/185-M16/SD		M16	19,0	24,0	30,0	17,0	35,0	18,0	18,0	65,0	20	~2,3 kg.	120	~13,8 kg.	23,25
SKP-S1/185-M20		M20	19,0	24,0	30,0	21,0	39,0	22,0	22,0	69,0	20	~2,4 kg.	120	~14,4 kg.	24,50
SKP-S1/240-M10	240	M10	21,0	26,0	35,0	10,5	39,0	21,5	19,0	72,0	20	~3,0 kg.	120	~18,0 kg.	30,00
SKP-S1/240-M12		M12	21,0	26,0	35,0	13,0	39,0	21,5	19,0	72,0	20	~3,0 kg.	120	~18,0 kg.	30,00
SKP-S1/240-M14		M14	21,0	26,0	35,0	15,0	39,0	21,5	19,0	72,0	20	~3,0 kg.	120	~18,0 kg.	30,00
SKP-S1/240-M16/SD		M16	21,0	26,0	35,0	17,0	39,0	21,5	19,0	72,0	20	~2,9 kg.	120	~17,4 kg.	30,00
SKP-S1/240-M20		M20	21,0	26,0	35,0	21,0	39,0	21,5	19,0	72,0	20	~2,8 kg.	120	~16,8 kg.	31,00
SKP-S1/300-M12	300	M12	23,5	29,5	44,0	13,0	43,0	24,0	24,0	87,0	8	~1,9 kg.	48	~11,4 kg.	43,00
SKP-S1/300-M14		M14	23,5	29,5	44,0	15,0	43,0	24,0	24,0	87,0	8	~1,9 kg.	48	~11,4 kg.	43,00
SKP-S1/300-M16		M16	23,5	29,5	44,0	17,0	43,0	24,0	24,0	87,0	8	~1,9 kg.	48	~11,4 kg.	43,00
SKP-S1/300-M20/SD		M20	23,5	29,5	44,0	21,0	43,0	24,0	24,0	87,0	8	~1,9 kg.	48	~11,4 kg.	43,00
SKP-S1/400-M12	400	M12	27,0	34,0	44,0	13,0	49,0	24,0	24,0	90,0	6	~2,0 kg.	36	~12,0 kg.	64,00
SKP-S1/400-M14		M14	27,0	34,0	44,0	15,0	49,0	24,0	24,0	90,0	6	~2,0 kg.	36	~12,0 kg.	64,00
SKP-S1/400-M16		M16	27,0	34,0	44,0	17,0	49,0	24,0	24,0	90,0	6	~2,0 kg.	36	~12,0 kg.	64,00
SKP-S1/400-M20/SD		M20	27,0	34,0	44,0	21,0	49,0	24,0	24,0	90,0	6	~1,9 kg.	36	~11,4 kg.	64,00

SKP-S1 ÖZELLİKLERİ

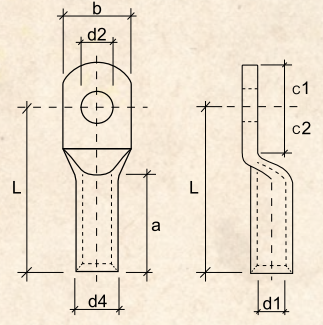
HAMMADDE	EN 13600 BAKIR BORU
MATERİAL	ELECTROLYTIC COPPER CONFORMED TO EN 13600
KAPLAMA	KALAY
COATING	TIN PLATED
BAĞLANTI	SIKMA
JOINT	CLAMP COUPLING
BORU ET KALINLIĞI	ÇOK KALIN
THICKNESS	VERY THICK
KABLO GİRİŞİ	NORMAL
CABLE ENTRY	STANDARD

BU TABLODA KOYU YAZI KARAKTERİ İLE BELİRTİLMİŞ OLAN KABLO PABUÇLARI STANDART ÜRETİMİZDİR.
THE CABLE LUGS WHICH ARE INDICATED IN BOLD FONT, ARE STANDART PRODUCTS OF **Simpa**



SKP-S2

SIKMALI KABLO PABUCU LONG BARREL TUBULAR CABLE LUGS



5846 sayılı yasa gereği fotoğrafların izinsiz yayınlanması ve kullanılması kesinlikle yasaktır.

ÜRÜN KODU ORDER CODE	KABLO KESİTİ CABLE SECTION (mm)	CİVATA DELİĞİ BOLT	BOYUTLAR DIMENSIONS								KUTU ADEĐİ BOX PCS.	KUTU AĞIRLIĞI BOX WEIGHT	KOLİ ADEĐİ PARCEL PCS.	KOLİ AĞIRLIĞI BOX WEIGHT	BİRİM FİYATI UNIT PRICE TL
			d1	d4	a	d2	b	c1	c2	L					
SKP-S2/010-M05	10	M5	4,5	7,0	14,0	5,5	12,0	6,5	7,5	26,0	400	~2,6 kg.	3.200	~20,8 kg.	2,00
SKP-S2/010-M06/SD		M6	4,5	7,0	14,0	6,5	12,0	6,2	7,5	26,0	400	~2,4 kg.	3.200	~19,2 kg.	1,90
SKP-S2/010-M08		M8	4,5	7,5	14,0	8,5	15,0	10,0	10,0	29,0	400	~2,7 kg.	3.200	~21,6 kg.	2,30
SKP-S2/010-M10		M10	4,5	7,5	14,0	10,5	17,0	12,0	12,0	31,0	400	~2,9 kg.	3.200	~23,2 kg.	2,55
SKP-S2/010-M12		M12	4,5	7,5	14,0	13,0	19,0	13,0	13,0	33,0	300	~3,0 kg.	2.400	~24,0 kg.	3,30
SKP-S2/016-M05	16	M5	5,5	8,5	17,0	5,5	12,0	5,5	6,5	30,0	250	~2,5 kg.	2.000	~20,0 kg.	3,30
SKP-S2/016-M06		M6	5,5	8,5	17,0	6,5	12,0	6,2	7,5	31,0	250	~2,6 kg.	2.000	~20,8 kg.	3,30
SKP-S2/016-M08/SD		M8	5,5	8,5	17,0	8,4	15,0	8,5	9,5	33,0	250	~2,7 kg.	2.000	~21,6 kg.	3,10
SKP-S2/016-M10		M10	5,5	8,5	17,0	10,5	17,0	10,5	11,5	35,0	250	~2,9 kg.	2.000	~23,2 kg.	3,85
SKP-S2/016-M12		M12	5,5	8,5	17,0	13,0	19,0	13,0	13,0	37,0	250	~3,1 kg.	2.000	~24,8 kg.	4,50
SKP-S2/025-M05	25	M5	7,0	10,0	19,0	5,5	14,0	7,5	7,5	34,0	175	~2,4 kg.	1.400	~19,2 kg.	4,35
SKP-S2/025-M06		M6	7,0	10,0	19,0	6,5	14,0	7,5	7,5	34,0	175	~2,4 kg.	1.400	~19,2 kg.	4,35
SKP-S2/025-M08/SD		M8	7,0	10,0	19,0	8,4	16,0	10,0	10,0	36,0	175	~2,6 kg.	1.400	~20,8 kg.	4,35
SKP-S2/025-M10		M10	7,0	10,0	19,0	10,5	18,0	12,0	12,0	38,0	175	~2,8 kg.	1.400	~22,4 kg.	4,80
SKP-S2/025-M12		M12	7,0	10,0	19,0	13,0	19,0	13,0	13,0	39,0	175	~2,7 kg.	1.400	~21,6 kg.	5,45
SKP-S2/035-M06	35	M6	8,5	12,0	23,0	6,5	17,0	7,5	7,5	38,0	100	~2,2 kg.	800	~17,6 kg.	6,50
SKP-S2/035-M08/SD		M8	8,5	12,0	23,0	8,4	17,0	10,0	10,0	40,0	100	~2,3 kg.	800	~18,4 kg.	6,50
SKP-S2/035-M10		M10	8,5	12,0	23,0	10,5	19,0	12,0	12,0	43,0	100	~2,5 kg.	800	~20,0 kg.	7,15
SKP-S2/035-M12		M12	8,5	12,0	23,0	13,0	21,0	13,0	13,0	44,0	100	~2,5 kg.	800	~20,0 kg.	7,70
SKP-S2/035-M16		M16	8,5	12,0	23,0	17,0	26,0	16,0	16,0	48,0	100	~2,6 kg.	800	~20,8 kg.	9,60
SKP-S2/050-M06	50	M6	10,0	14,0	25,0	6,5	20,0	10,0	10,0	43,0	60	~2,1 kg.	480	~16,8 kg.	10,00
SKP-S2/050-M08		M8	10,0	14,0	25,0	8,5	20,0	10,0	10,0	43,0	60	~2,0 kg.	480	~16,0 kg.	10,00
SKP-S2/050-M10/SD		M10	10,0	14,0	25,0	10,5	20,0	12,0	12,0	45,0	60	~2,1 kg.	480	~16,8 kg.	9,60
SKP-S2/050-M12		M12	10,0	14,0	25,0	13,0	23,0	13,0	13,0	49,0	60	~2,3 kg.	480	~18,4 kg.	11,30
SKP-S2/050-M16		M16	10,0	14,0	25,0	17,0	28,0	16,0	16,0	52,0	60	~2,3 kg.	480	~18,4 kg.	13,40
SKP-S2/050-M20	M20	10,0	14,0	25,0	21,0	30,0	19,0	19,0	54,0	60	~2,3 kg.	480	~18,4 kg.	14,60	
SKP-S2/070-M06	70	M6	12,0	16,5	29,0	6,5	23,0	10,0	10,0	51,0	50	~2,7 kg.	400	~21,6 kg.	14,60
SKP-S2/070-M08		M8	12,0	16,5	29,0	8,5	23,0	10,0	10,0	51,0	50	~2,6 kg.	400	~20,8 kg.	14,60
SKP-S2/070-M10/SD		M10	12,0	16,5	29,0	10,5	23,0	12,0	12,0	52,0	50	~2,7 kg.	400	~21,6 kg.	14,20
SKP-S2/070-M12		M12	12,0	16,5	29,0	13,0	23,0	13,0	13,0	54,0	50	~2,7 kg.	400	~21,6 kg.	15,65
SKP-S2/070-M16		M16	12,0	16,5	29,0	17,0	28,0	16,0	16,0	58,0	50	~2,9 kg.	400	~23,2 kg.	20,50
SKP-S2/070-M20	M20	12,0	16,5	29,0	21,0	30,0	19,0	19,0	61,0	50	~3,0 kg.	400	~24,0 kg.	23,00	
SKP-S2/095-M08	95	M8	13,5	18,0	33,0	8,5	26,0	12,0	12,0	56,0	40	~2,6 kg.	320	~20,8 kg.	15,65
SKP-S2/095-M10		M10	13,5	18,0	33,0	10,5	26,0	12,0	12,0	56,0	40	~2,6 kg.	320	~20,8 kg.	15,65
SKP-S2/095-M12/SD		M12	13,5	18,0	33,0	13,0	26,0	13,0	13,0	57,0	40	~2,6 kg.	320	~20,8 kg.	15,50
SKP-S2/095-M16		M16	13,5	18,0	33,0	17,0	28,0	16,0	16,0	62,0	40	~2,7 kg.	320	~21,6 kg.	18,00
SKP-S2/095-M20		M20	13,5	18,0	33,0	21,0	36,0	22,0	22,0	68,0	40	~3,1 kg.	320	~24,8 kg.	23,00
SKP-S2/120-M08	120	M8	15,0	19,5	36,0	8,5	28,0	14,0	14,0	61,0	30	~2,4 kg.	240	~19,2 kg.	18,90
SKP-S2/120-M10		M10	15,0	19,5	36,0	10,5	28,0	14,0	14,0	61,0	30	~2,3 kg.	240	~18,4 kg.	18,90
SKP-S2/120-M12/SD		M12	15,0	19,5	36,0	13,0	28,0	14,0	14,0	61,0	30	~2,3 kg.	240	~18,4 kg.	18,00
SKP-S2/120-M16		M16	15,0	19,5	36,0	17,0	30,0	16,0	16,0	64,0	30	~2,3 kg.	240	~18,4 kg.	19,20
SKP-S2/120-M20		M20	15,0	19,5	36,0	21,0	36,0	22,0	22,0	73,0	30	~2,7 kg.	240	~21,6 kg.	23,10

ÜRÜN KODU ORDER CODE	KABLO KESİTİ CABLE SECTION (mm)	CİVATA DELİĞİ BOLT	BOYUTLAR DIMENSIONS								KUTU ADEĐİ BOX PCS.	KUTU AGIRLIĞI BOX WEIGHT	KOLİ ADEĐİ PARCEL PCS.	KOLİ AGIRLIĞI BOX WEIGHT	BİRİM FİYATI UNIT PRICE TL
			d1	d4	a	d2	b	c1	c2	L					
SKP-S2/150-M08	150	M8	16,5	21,0	40,0	8,5	31,0	14,0	14,0	66,0	25	~2,3 kg.	200	~18,4 kg.	23,10
SKP-S2/150-M10		M10	16,5	21,0	40,0	10,5	31,0	14,0	14,0	66,0	25	~2,3 kg.	200	~18,4 kg.	23,10
SKP-S2/150-M12/SD		M12	16,5	21,0	40,0	13,0	31,0	15,0	15,0	67,0	25	~2,3 kg.	200	~18,4 kg.	22,50
SKP-S2/150-M16		M16	16,5	21,0	40,0	17,0	31,0	16,0	16,0	68,0	25	~2,2 kg.	200	~17,6 kg.	23,25
SKP-S2/150-M20		M20	16,5	21,0	40,0	21,0	36,0	22,0	22,0	76,0	25	~2,6 kg.	200	~20,8 kg.	24,75
SKP-S2/185-M10	185	M10	19,0	24,0	42,0	10,5	35,0	16,0	16,0	72,5	20	~2,6 kg.	160	~20,8 kg.	29,00
SKP-S2/185-M12/SD		M12	19,0	24,0	42,0	13,0	35,0	16,0	16,0	72,5	20	~2,6 kg.	160	~20,8 kg.	29,00
SKP-S2/185-M16		M16	19,0	24,0	42,0	17,0	35,0	16,0	16,0	72,5	20	~2,7 kg.	160	~21,6 kg.	29,00
SKP-S2/185-M20		M20	19,0	24,0	42,0	21,0	39,0	21,5	19,0	76,5	20	~2,8 kg.	160	~22,4 kg.	32,25
SKP-S2/240-M10	240	M10	21,0	26,0	45,0	10,5	39,0	16,5	16,5	79,0	15	~2,5 kg.	120	~20,0 kg.	33,00
SKP-S2/240-M12/SD		M12	21,0	26,0	45,0	13,0	39,0	16,5	16,5	79,0	15	~2,3 kg.	120	~18,4 kg.	33,00
SKP-S2/240-M16		M16	21,0	26,0	45,0	17,0	39,0	16,5	16,5	79,0	15	~2,4 kg.	120	~19,2 kg.	33,00
SKP-S2/240-M20		M20	21,0	26,0	45,0	21,0	39,0	21,5	19,0	82,0	15	~2,4 kg.	120	~19,2 kg.	34,00
SKP-S2/300-M12	300	M12	23,5	29,5	56,0	13,0	43,0	24,0	24,0	99,0	8	~2,2 kg.	64	~17,6 kg.	55,00
SKP-S2/300-M16		M16	23,5	29,5	56,0	17,0	43,0	24,0	24,0	99,0	8	~2,1 kg.	64	~16,8 kg.	55,00
SKP-S2/300-M20/SD		M20	23,5	29,5	56,0	21,0	43,0	24,0	24,0	99,0	8	~2,1 kg.	64	~16,8 kg.	55,00
SKP-S2/400-M12	400	M12	27,0	34,0	60,0	13,0	49,0	24,0	24,0	106,0	6	~2,3 kg.	48	18,4 kg.	85,00
SKP-S2/400-M16		M16	27,0	34,0	60,0	17,0	49,0	24,0	24,0	106,0	6	~2,3 kg.	48	18,4 kg.	85,00
SKP-S2/400-M20/SD		M20	27,0	34,0	60,0	21,0	49,0	24,0	24,0	106,0	6	~2,2 kg.	48	17,6 kg.	85,00

SKP-S2 ÖZELLİKLERİ

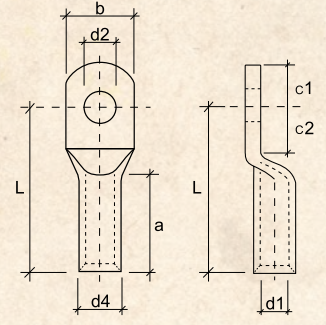
HAMMADDE	EN 13600 BAKIR BORU
METERIAL	ELECTROLYTIC COPPER CONFORMED TO EN 13600
KAPLAMA	KALAY
COATING	TIN PLATED
BAĞLANTI	SIKMA
JOINT	CLAMP COUPLING
BORU ET KALINLIĞI	ÇOK KALIN
THICKNESS	VERY THICK
KABLO GİRİŞİ	UZUN
CABLE ENTRY	LONG

BU TABLODA KOYU YAZI KARAKTERİ İLE BELİRTİLMİŞ OLAN KABLO PABUÇLARI STANDART ÜRETİMİZDİR.
THE CABLE LUGS WHICH ARE INDICATED IN BOLD FONT, ARE STANDART PRODUCTS OF **Simpa**



SKP-S3

SIKMALI KABLO PABUCU LONGER BARREL TUBULAR CABLE LUGS



5846 sayılı yasa gereği fotoğrafların izinsiz yayınlanması ve kullanılması kesinlikle yasaktır.

ÜRÜN KODU ORDER CODE	KABLO KESİTİ CABLE SECTION (mm)	CİVATA DELİĞİ BOLT	BOYUTLAR DIMENSIONS								KUTU ADEDİ BOX PCS.	KUTU AĞIRLIĞI BOX WEIGHT	KOLİ ADEDİ PARCEL PCS.	KOLİ AĞIRLIĞI BOX WEIGHT	BİRİM FİYATI UNIT PRICE TL
			d1	d4	a	d2	b	c1	c2	L					
SKP-S3/025-M05	25	M5	7,0	10,0	40,0	5,5	14,0	7,5	7,5	55,0	125	~2,7 kg.	750	~16,2 kg.	4,85
SKP-S3/025-M06		M6	7,0	10,0	40,0	6,5	14,0	7,5	7,5	55,0	125	~2,6 kg.	750	~15,6 kg.	4,85
SKP-S3/025-M08/SD		M8	7,0	10,0	40,0	8,4	16,0	10,0	10,0	57,0	125	~2,8 kg.	750	~16,8 kg.	4,85
SKP-S3/025-M10		M10	7,0	10,0	40,0	10,5	18,0	12,0	12,0	59,0	125	~2,9 kg.	750	~17,4 kg.	5,50
SKP-S3/025-M12		M12	7,0	10,0	40,0	13,0	19,0	13,0	13,0	60,0	125	~2,9 kg.	750	~17,4 kg.	6,40
SKP-S3/025-M14		M14	7,0	10,0	40,0	15,0	21,0	14,5	14,5	63,0	125	~3,0 kg.	750	~18,0 kg.	7,60
SKP-S3/035-M06	35	M6	8,5	12,0	40,0	6,5	17,0	7,5	7,5	55,0	80	~2,4 kg.	480	~14,4 kg.	8,20
SKP-S3/035-M08/SD		M8	8,5	12,0	40,0	8,4	17,0	10,0	10,0	57,0	80	~2,4 kg.	480	~14,4 kg.	8,20
SKP-S3/035-M10		M10	8,5	12,0	40,0	10,5	19,0	12,0	12,0	60,0	80	~2,7 kg.	480	~16,2 kg.	8,60
SKP-S3/035-M12		M12	8,5	12,0	40,0	13,0	21,0	13,0	13,0	61,0	80	~2,7 kg.	480	~16,2 kg.	9,00
SKP-S3/035-M14		M14	8,5	12,0	40,0	15,0	21,0	14,5	14,5	63,0	80	~2,7 kg.	480	~16,2 kg.	10,25
SKP-S3/035-M16		M16	8,5	12,0	40,0	17,0	26,0	16,0	16,0	65,0	80	~2,8 kg.	480	~16,8 kg.	11,45
SKP-S3/050-M06	50	M6	10,0	14,0	50,0	6,5	20,0	10,0	10,0	68,0	50	~2,6 kg.	300	~15,6 kg.	13,00
SKP-S3/050-M08		M8	10,0	14,0	50,0	8,5	20,0	10,0	10,0	68,0	50	~2,5 kg.	300	~15,0 kg.	13,00
SKP-S3/050-M10/SD		M10	10,0	14,0	50,0	10,5	20,0	12,0	12,0	70,0	50	~2,6 kg.	300	~15,6 kg.	13,00
SKP-S3/050-M12		M12	10,0	14,0	50,0	13,0	23,0	13,0	13,0	74,0	50	~2,7 kg.	300	~16,2 kg.	13,80
SKP-S3/050-M14		M14	10,0	14,0	50,0	15,0	23,0	14,5	14,5	76,0	50	~2,7 kg.	300	~16,2 kg.	14,60
SKP-S3/050-M16		M16	10,0	14,0	50,0	17,0	28,0	16,0	16,0	77,0	50	~2,8 kg.	300	~16,8 kg.	15,40
SKP-S3/050-M20	M20	10,0	14,0	50,0	21,0	30,0	19,0	19,0	79,0	50	~2,8 kg.	300	~16,8 kg.	17,50	
SKP-S3/070-M06	70	M6	12,0	16,5	50,0	6,5	23,0	10,0	10,0	72,0	40	~2,9 kg.	240	~17,4 kg.	16,80
SKP-S3/070-M08		M8	12,0	16,5	50,0	8,5	23,0	10,0	10,0	72,0	40	~2,9 kg.	240	~17,4 kg.	16,50
SKP-S3/070-M10/SD		M10	12,0	16,5	50,0	10,5	23,0	12,0	12,0	73,0	40	~2,9 kg.	240	~17,4 kg.	16,50
SKP-S3/070-M12		M12	12,0	16,5	50,0	13,0	23,0	13,0	13,0	75,0	40	~3,0 kg.	240	~18,0 kg.	18,10
SKP-S3/070-M14		M14	12,0	16,5	50,0	15,0	23,0	14,5	14,5	77,0	40	~3,0 kg.	240	~18,0 kg.	19,10
SKP-S3/070-M16		M16	12,0	16,5	50,0	17,0	28,0	16,0	16,0	79,0	40	~3,1 kg.	240	~18,6 kg.	23,60
SKP-S3/070-M20	M20	12,0	16,5	50,0	21,0	30,0	19,0	19,0	82,0	40	~3,1 kg.	240	~18,6 kg.	26,00	
SKP-S3/095-M08	95	M8	13,5	18,0	50,0	8,5	26,0	12,0	12,0	73,0	30	~2,5 kg.	180	~15,0 kg.	19,25
SKP-S3/095-M10		M10	13,5	18,0	50,0	10,5	26,0	12,0	12,0	73,0	30	~2,5 kg.	180	~15,0 kg.	19,25
SKP-S3/095-M12/SD		M12	13,5	18,0	50,0	13,0	26,0	13,0	13,0	74,0	30	~2,5 kg.	180	~15,0 kg.	19,25
SKP-S3/095-M14		M14	13,5	18,0	50,0	15,0	26,0	14,5	14,5	76,0	30	~2,6 kg.	180	~15,6 kg.	20,15
SKP-S3/095-M16		M16	13,5	18,0	50,0	17,0	28,0	16,0	16,0	79,0	30	~2,7 kg.	180	~16,2 kg.	21,25
SKP-S3/095-M20		M20	13,5	18,0	50,0	21,0	36,0	22,0	22,0	85,0	30	~2,8 kg.	180	~16,8 kg.	27,50
SKP-S3/120-M08	120	M8	15,0	19,5	60,0	8,5	28,0	14,0	14,0	85,0	25	~2,6 kg.	150	~15,6 kg.	23,00
SKP-S3/120-M10		M10	15,0	19,5	60,0	10,5	28,0	14,0	14,0	85,0	25	~2,6 kg.	150	~15,6 kg.	23,00
SKP-S3/120-M12/SD		M12	15,0	19,5	60,0	13,0	28,0	14,0	14,0	85,0	25	~2,6 kg.	150	~15,6 kg.	23,00
SKP-S3/120-M14		M14	15,0	19,5	60,0	15,0	28,0	15,0	15,0	86,0	25	~2,6 kg.	150	~15,6 kg.	24,25
SKP-S3/120-M16		M16	15,0	19,5	60,0	17,0	30,0	16,0	16,0	88,0	25	~2,7 kg.	150	~16,2 kg.	25,00
SKP-S3/120-M20		M20	15,0	19,5	60,0	21,0	36,0	22,0	22,0	97,0	25	~2,9 kg.	150	~17,4 kg.	27,00

ÜRÜN KODU ORDER CODE	KABLO KESİTİ CABLE SECTION (mm)	CİVATA DELİĞİ BOLT	BOYUTLAR DIMENSIONS								KUTU ADEĐİ BOX PCS.	KUTU AGIRLIĞI BOX WEIGHT	KOLİ ADEĐİ PARCEL PCS.	KOLİ AGIRLIĞI BOX WEIGHT	BİRİM FİYATI UNIT PRICE TL
			d1	d4	a	d2	b	c1	c2	L					
SKP-S3/150-M08	150	M8	16,5	21,0	60,0	8,5	31,0	14,0	14,0	86,0	20	~2,3 kg.	120	~13,8 kg.	26,00
SKP-S3/150-M10		M10	16,5	21,0	60,0	10,5	31,0	14,0	14,0	86,0	20	~2,3 kg.	120	~13,8 kg.	27,00
SKP-S3/150-M12/SD		M12	16,5	21,0	60,0	13,0	31,0	15,0	15,0	87,0	20	~2,3 kg.	120	~13,8 kg.	26,00
SKP-S3/150-M14		M14	16,5	21,0	60,0	15,0	31,0	15,0	15,0	87,0	20	~2,3 kg.	120	~13,8 kg.	26,00
SKP-S3/150-M16		M16	16,5	21,0	60,0	17,0	31,0	16,0	16,0	88,0	20	~2,3 kg.	120	~13,8 kg.	27,00
SKP-S3/150-M20		M20	16,5	21,0	60,0	21,0	36,0	22,0	22,0	96,0	20	~2,5 kg.	120	~15,0 kg.	29,00
SKP-S3/185-M10	185	M10	19,0	24,0	60,0	10,5	35,0	16,0	16,0	92,0	12	~2,0 kg.	72	~12,0 kg.	34,00
SKP-S3/185-M12/SD		M12	19,0	24,0	60,0	13,0	35,0	16,0	16,0	92,0	12	~2,0 kg.	72	~12,0 kg.	34,00
SKP-S3/185-M14		M14	19,0	24,0	60,0	15,0	35,0	16,0	16,0	92,0	12	~2,0 kg.	72	~12,0 kg.	34,00
SKP-S3/185-M16		M16	19,0	24,0	60,0	17,0	35,0	16,0	16,0	92,0	12	~1,9 kg.	72	~11,4 kg.	34,00
SKP-S3/185-M20		M20	19,0	24,0	60,0	21,0	39,0	21,5	19,0	96,0	12	~2,0 kg.	72	~12,0 kg.	35,50
SKP-S3/240-M08	240	M8	21,0	26,0	60,0	8,5	39,0	16,5	16,5	94,0	12	~2,3 kg.	72	~13,8 kg.	38,00
SKP-S3/240-M10		M10	21,0	26,0	60,0	10,5	39,0	16,5	16,5	94,0	12	~2,3 kg.	72	~13,8 kg.	38,00
SKP-S3/240-M12/SD		M12	21,0	26,0	60,0	13,0	39,0	16,5	16,5	94,0	12	~2,2 kg.	72	~13,2 kg.	38,00
SKP-S3/240-M14		M14	21,0	26,0	60,0	15,0	39,0	16,5	16,5	94,0	12	~2,1 kg.	72	~12,6 kg.	38,00
SKP-S3/240-M16		M16	21,0	26,0	60,0	17,0	39,0	16,5	16,5	94,0	12	~2,1 kg.	72	~12,6 kg.	38,00
SKP-S3/240-M20		M20	21,0	26,0	60,0	21,0	39,0	21,5	19,0	97,0	12	~2,2 kg.	72	~13,2 kg.	39,50

SKP-S3 ÖZELLİKLERİ

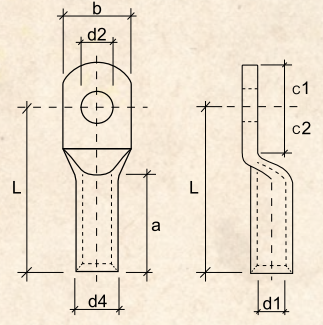
HAMMADDE	EN 13600 BAKIR BORU
METERIAL	ELECTROLYTIC COPPER CONFORMED TO EN 13600
KAPLAMA	KALAY
COATING	TIN PLATED
BAĞLANTI	SIKMA
JOINT	CLAMP COUPLING
BORU ET KALINLIĞI	ÇOK KALIN
THICKNESS	VERY THICK
KABLO GİRİŞİ	ÇOK UZUN
CABLE ENTRY	VERY LONG

BU TABLODA KOYU YAZI KARAKTERİ İLE BELİRTİLMİŞ OLAN KABLO PABUÇLARI STANDART ÜRETİMİZDİR.
THE CABLE LUGS WHICH ARE INDICATED IN BOLD FONT, ARE STANDART PRODUCTS OF **Simpa**



SKP-D

DIN 46235 TİP SIKMALI KABLO PABUCU DIN 46235 TYPE TUBULAR CABLE LUGS



5846 sayılı yasa gereği fotoğrafların izinsiz yayınlanması ve kullanılması kesinlikle yasaktır.

ÜRÜN KODU ORDER CODE	KABLO KESİTİ CABLE SECTION (mm)	CİVATA DELİĞİ BOLT	BOYUTLAR DIMENSIONS								KUTU ADEDİ BOX PCS.	KUTU AĞIRLIĞI BOX WEIGHT	KOLİ ADEDİ PARCEL PCS.	KOLİ AĞIRLIĞI BOX WEIGHT	BİRİM FİYATI UNIT PRICE TL
			d1	d4	a	d2	b	c1	c2	L					
SKP-D/006-M05	6	M5	3,8	5,5	10,0	5,3	8,5	6,5	7,5	24,0	600	~1,9 kg.	3.600	~11,4 kg.	1,50
SKP-D/006-M06/SD		M6	3,8	5,5	10,0	6,4	8,5	7,5	8,0	24,0	600	~1,8 kg.	3.600	~10,8 kg.	1,50
SKP-D/006-M08		M8	3,8	5,5	10,0	8,4	13,0	10,0	10,0	24,0	600	~1,9 kg.	3.600	~11,4 kg.	1,60
SKP-D/010-M05	10	M5	4,5	6,0	10,0	5,3	9,0	7,0	8,5	27,0	500	~1,8 kg.	3.000	~10,8 kg.	1,50
SKP-D/010-M06/SD		M6	4,5	6,0	10,0	6,4	9,0	7,5	8,5	27,0	500	~1,7 kg.	3.000	~10,2 kg.	1,50
SKP-D/010-M08		M8	4,5	6,0	10,0	8,4	13,0	10,0	10,0	27,0	500	~1,8 kg.	3.000	~10,8 kg.	1,60
SKP-D/016-M06	16	M6	5,5	8,5	20,0	6,4	13,0	7,5	8,0	36,0	200	~2,4 kg.	1.200	~14,4 kg.	3,10
SKP-D/016-M08/SD		M8	5,5	8,5	20,0	8,4	13,0	10,0	10,0	36,0	200	~2,4 kg.	1.200	~14,4 kg.	3,15
SKP-D/016-M10		M10	5,5	8,5	20,0	10,5	17,0	12,0	12,0	36,0	200	~2,4 kg.	1.200	~14,4 kg.	3,20
SKP-D/016-M12		M12	5,5	8,5	20,0	13,0	18,0	13,0	13,0	36,0	200	~2,4 kg.	1.200	~14,4 kg.	3,75
SKP-D/025-M06	25	M6	7,0	10,0	20,0	6,4	14,0	7,5	8,0	38,0	175	~2,6 kg.	1.050	~15,6 kg.	4,50
SKP-D/025-M08/SD		M8	7,0	10,0	20,0	8,4	16,0	10,0	10,0	38,0	175	~2,7 kg.	1.050	~16,2 kg.	4,45
SKP-D/025-M10		M10	7,0	10,0	20,0	10,5	17,0	12,0	12,0	38,0	175	~2,7 kg.	1.050	~16,2 kg.	4,50
SKP-D/025-M12		M12	7,0	10,0	20,0	13,0	19,0	13,0	13,0	38,0	150	~2,3 kg.	900	~13,8 kg.	4,85
SKP-D/035-M06	35	M6	8,2	12,5	20,0	6,4	17,0	7,5	8,0	42,0	100	~2,8 kg.	600	~16,8 kg.	7,80
SKP-D/035-M08		M8	8,2	12,5	20,0	8,4	17,0	10,0	10,0	42,0	100	~2,8 kg.	600	~16,8 kg.	7,80
SKP-D/035-M10/SD		M10	8,2	12,5	20,0	10,5	19,0	12,0	12,0	42,0	100	~3,0 kg.	600	~18,0 kg.	7,80
SKP-D/035-M12		M12	8,2	12,5	20,0	13,0	21,0	13,0	13,0	42,0	100	~2,8 kg.	600	~16,8 kg.	7,80
SKP-D/035-M14	M14	8,2	12,5	20,0	15,0	21,0	14,5	14,5	42,0	100	~2,6 kg.	600	~15,6 kg.	8,20	
SKP-D/050-M08	50	M8	10,0	14,5	28,0	8,4	20,0	10,0	10,0	52,0	60	~2,7 kg.	360	~16,2 kg.	12,00
SKP-D/050-M10/SD		M10	10,0	14,5	28,0	10,5	22,0	12,0	12,0	52,0	60	~2,7 kg.	360	~16,2 kg.	12,00
SKP-D/050-M12		M12	10,0	14,5	28,0	13,0	24,0	13,0	13,0	52,0	60	~2,7 kg.	360	~16,2 kg.	12,00
SKP-D/050-M14		M14	10,0	14,5	28,0	15,0	24,0	14,5	14,5	52,0	60	~2,7 kg.	360	~16,2 kg.	13,25
SKP-D/050-M16		M16	10,0	14,5	28,0	17,0	28,0	16,0	16,0	52,0	60	~2,7 kg.	360	~16,2 kg.	13,75
SKP-D/070-M08	70	M8	11,5	16,5	28,0	8,4	24,0	10,0	10,0	55,0	50	~3,0 kg.	300	~18,0 kg.	16,75
SKP-D/070-M10/SD		M10	11,5	16,5	28,0	10,5	24,0	12,0	12,0	55,0	50	~3,1 kg.	300	~18,6 kg.	16,75
SKP-D/070-M12		M12	11,5	16,5	28,0	13,0	24,0	13,0	13,0	55,0	50	~3,0 kg.	300	~18,0 kg.	16,75
SKP-D/070-M14		M14	11,5	16,5	28,0	15,0	24,0	14,5	14,5	55,0	50	~3,0 kg.	300	~18,0 kg.	17,00
SKP-D/070-M16		M16	11,5	16,5	28,0	17,0	30,0	16,0	16,0	55,0	50	~3,0 kg.	300	~18,0 kg.	17,25
SKP-D/095-M08	95	M8	13,5	19,0	35,0	8,4	28,0	12,0	12,0	65,0	35	~3,2 kg.	210	~19,2 kg.	22,00
SKP-D/095-M10		M10	13,5	19,0	35,0	10,5	28,0	12,0	12,0	65,0	35	~3,2 kg.	210	~19,2 kg.	21,50
SKP-D/095-M12/SD		M12	13,5	19,0	35,0	13,0	28,0	13,0	13,0	65,0	35	~3,1 kg.	210	~18,6 kg.	21,50
SKP-D/095-M14		M14	13,5	19,0	35,0	15,0	28,0	14,5	14,5	65,0	35	~3,2 kg.	210	~19,2 kg.	22,00
SKP-D/095-M16		M16	13,5	19,0	35,0	17,0	32,0	16,0	16,0	65,0	35	~3,2 kg.	210	~19,2 kg.	22,50
SKP-D/120-M10	120	M10	15,5	21,0	35,0	10,5	32,0	15,0	16,0	70,0	30	~3,4 kg.	180	~20,4 kg.	27,00
SKP-D/120-M12/SD		M12	15,5	21,0	35,0	13,0	32,0	16,0	17,0	70,0	30	~3,4 kg.	180	~20,4 kg.	27,00
SKP-D/120-M14		M14	15,5	21,0	35,0	15,0	32,0	18,0	19,0	70,0	30	~3,4 kg.	180	~20,4 kg.	27,50
SKP-D/120-M16		M16	15,5	21,0	35,0	17,0	32,0	19,0	20,0	70,0	30	~3,4 kg.	180	~20,4 kg.	28,00
SKP-D/120-M20		M20	15,5	21,0	35,0	21,0	38,0	21,0	22,0	70,0	30	~3,4 kg.	180	~20,4 kg.	28,25
SKP-D/150-M10	150	M10	17,0	23,5	35,0	10,5	34,0	15,0	16,0	78,0	15	~2,5 kg.	90	~15,0 kg.	37,00
SKP-D/150-M12/SD		M12	17,0	23,5	35,0	13,0	34,0	16,0	17,0	78,0	15	~2,5 kg.	90	~15,0 kg.	37,00
SKP-D/150-M14		M14	17,0	23,5	35,0	15,0	34,0	19,0	20,0	78,0	15	~2,5 kg.	90	~15,0 kg.	38,00
SKP-D/150-M16		M16	17,0	23,5	35,0	17,0	34,0	19,0	20,0	78,0	15	~2,5 kg.	90	~15,0 kg.	38,00
SKP-D/150-M20		M20	17,0	23,5	35,0	21,0	40,0	21,0	22,0	78,0	15	~2,4 kg.	90	~14,4 kg.	42,50

ÜRÜN KODU ORDER CODE	KABLO KESİTİ CABLE SECTION (mm)	CİVATA DELİĞİ BOLT	BOYUTLAR DIMENSIONS								KUTU ADEĐİ BOX PCS.	KUTU AGIRLIĞI BOX WEIGHT	KOLİ ADEĐİ PARCEL PCS.	KOLİ AGIRLIĞI BOX WEIGHT	BİRİM FİYATI UNIT PRICE TL
			d1	d4	a	d2	b	c1	c2	L					
SKP-D/185-M10	185	M10	19,0	25,5	40,0	10,5	37,0	15,0	16,0	82,0	12	~2,3 kg.	72	~13,8 kg.	43,50
SKP-D/185-M12/SD		M12	19,0	25,5	40,0	13,0	37,0	16,0	17,0	82,0	12	~2,3 kg.	72	~13,8 kg.	43,50
SKP-D/185-M14		M14	19,0	25,5	40,0	15,0	37,0	19,0	20,0	82,0	12	~2,3 kg.	72	~13,8 kg.	46,50
SKP-D/185-M16		M16	19,0	25,5	40,0	17,0	37,0	19,0	20,0	82,0	12	~2,3 kg.	72	~13,8 kg.	46,50
SKP-D/185-M20		M20	19,0	25,5	40,0	21,0	40,0	21,0	22,0	82,0	12	~2,2 kg.	72	~13,2 kg.	48,00
SKP-D/240-M12/SD	240	M12	21,5	29,0	40,0	13,0	42,0	16,0	17,0	92,0	8	~2,2 kg.	48	~13,2 kg.	62,00
SKP-D/240-M14		M14	21,5	29,0	40,0	15,0	42,0	19,0	20,0	92,0	8	~2,3 kg.	48	~13,8 kg.	62,00
SKP-D/240-M16		M16	21,5	29,0	40,0	17,0	42,0	19,0	20,0	92,0	8	~2,2 kg.	48	~13,2 kg.	62,00
SKP-D/240-M20		M20	21,5	29,0	40,0	21,0	45,0	21,0	22,0	92,0	8	~2,2 kg.	48	~13,2 kg.	62,00
SKP-D/300-M14	300	M14	24,5	32,0	50,0	15,0	48,0	19,0	22,0	100,0	8	~2,7 kg.	48	~16,2 kg.	80,00
SKP-D/300-M16/SD		M16	24,5	32,0	50,0	17,0	48,0	19,0	22,0	100,0	8	~2,7 kg.	48	~16,2 kg.	80,00
SKP-D/300-M20		M20	24,5	32,0	50,0	21,0	48,0	22,0	22,0	100,0	8	~2,7 kg.	48	~16,2 kg.	80,00
SKP-D/400-M14	400	M14	27,5	38,5	70,0	15,0	55,0	25,0	25,0	115,0	5	~3,4 kg.	30	~20,4 kg.	155,00
SKP-D/400-M16/SD		M16	27,5	38,5	70,0	17,0	55,0	25,0	25,0	115,0	5	~3,3 kg.	30	~19,8 kg.	155,00
SKP-D/400-M20		M20	27,5	38,5	70,0	21,0	55,0	25,0	25,0	115,0	5	~3,2 kg.	30	~19,2 kg.	155,00
SKP-D/500-M16	500	M16	31,0	42,0	70,0	17,0	60,0	25,0	25,0	125,0	4	~3,4 kg.	24	~20,4 kg.	190,00
SKP-D/500-M20/SD		M20	31,0	42,0	70,0	21,0	60,0	25,0	25,0	125,0	4	~3,3 kg.	24	~19,8 kg.	190,00
SKP-D/625-M16	625	M16	34,5	44,0	80,0	17,0	60,0	25,0	25,0	135,0	3	~2,6 kg.	18	~15,6 kg.	195,00
SKP-D/625-M20/SD		M20	34,5	44,0	80,0	21,0	60,0	25,0	25,0	135,0	3	~2,5 kg.	18	~15,0 kg.	195,00
SKP-D/800-M16	800	M16	40,0	52,0	100,0	17,0	75,0	30,0	30,0	165,0	4	~6,2 kg.	8	~12,4 kg.	425,00
SKP-D/800-M20/SD		M20	40,0	52,0	100,0	21,0	75,0	30,0	30,0	165,0	4	~6,0 kg.	8	~12,0 kg.	425,00
SKP-D/1000-M16	1000	M16	44,0	58,0	100,0	17,0	85,0	30,0	30,0	165,0	4	~8,0 kg.	8	~16,0 kg.	525,00
SKP-D/1000-M20/SD		M20	44,0	58,0	100,0	21,0	85,0	30,0	30,0	165,0	4	~7,4 kg.	8	~14,8 kg.	525,00

SKP-D ÖZELLİKLERİ

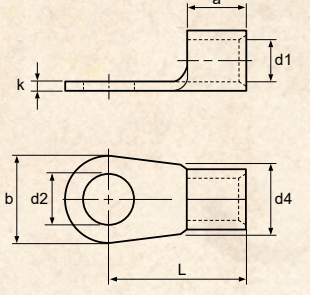
HAMMADDE MATERIAL	EN 13600 BAKIR BORU ELECTROLYTIC COPPER CONFORMED TO EN 13600
KAPLAMA COATING	KALAY TIN PLATED
BAĞLANTI JOINT	SIKMA CLAMP COUPLING
DIN NORMU 46235'E UYGUNDUR CONFORMED TO DIN 46235	

BU TABLODA KOYU YAZI KARAKTERİ İLE BELİRTİLMİŞ OLAN KABLO PABUÇLARI STANDART ÜRETİMİZDİR.
THE CABLE LUGS WHICH ARE INDICATED IN BOLD FONT, ARE STANDART PRODUCTS OF **Simpa**



SKP-D1

KAYNAKLI TİP KABLO PABUCU DIN 46234
DIN 46235 TYPE CABLE LUGS



5846 sayılı yasa gereği fotoğrafların izinsiz yayınlanması ve kullanılması kesinlikle yasaktır.

ÜRÜN KODU ORDER CODE	KABLO KESİTİ CABLE SECTION (mm)	CİVATA DELİĞİ BOLT	BOYUTLAR DIMENSIONS							KUTU ADEDİ BOX PCS.	KUTU AĞIRLIĞI BOX WEIGHT	KOLİ ADEDİ PARCEL PCS.	KOLİ AĞIRLIĞI BOX WEIGHT	BİRİM FİYATI UNIT PRICE TL
			d1	d4	a	d2	b	L	K					
SKP-D1/001.5-M03	1,5	M3	1,6	4,0	5,0	3,2	6,0	11,0	0,8	1.000	0,6 kg.	6000	~3,6 kg.	0,24
SKP-D1/001.5-M04		M4	1,6	4,0	5,0	4,3	8,0	12,0	0,8	1.000	0,7 kg.	6000	~4,2 kg.	0,29
SKP-D1/001.5-M05		M5	1,6	4,0	5,0	5,3	10,0	13,0	0,8	1.000	0,8 kg.	6000	~4,8 kg.	0,31
SKP-D1/001.5-M06		M6	1,6	4,0	5,0	6,5	11,0	15,0	0,8	1.000	0,7 kg.	6000	~4,2 kg.	0,36
SKP-D1/002.5-M03	2,5	M3	2,3	4,5	5,0	3,2	6,0	11,0	0,8	1.000	0,7 kg.	6000	~4,2 kg.	0,22
SKP-D1/002.5-M04		M4	2,3	4,5	5,0	4,3	8,0	12,0	0,8	1.000	0,8 kg.	6000	~4,8 kg.	0,29
SKP-D1/002.5-M05		M5	2,3	4,5	5,0	5,3	10,0	14,0	0,8	1.000	1,0 kg.	6000	~6,0 kg.	0,32
SKP-D1/002.5-M06		M6	2,3	4,5	5,0	6,5	11,0	16,0	0,8	1.000	1,1 kg.	6000	~6,6 kg.	0,36
SKP-D1/002.5-M08		M8	2,3	4,5	5,0	8,4	14,0	17,0	0,8	1.000	1,3 kg.	6000	~7,8 kg.	0,51
SKP-D1/002.5-M10		M10	2,3	4,5	5,0	10,5	17,0	19,5	0,8	1.000	1,9 kg.	6000	~11,4 kg.	0,70
SKP-D1/002.5-M12	M12	2,3	4,5	5,0	13,0	17,0	20,0	0,8	1.000	1,7 kg.	6000	~10,2 kg.	0,80	
SKP-D1/006-M04	6	M4	3,6	6,0	6,0	4,3	8,0	14,0	1,0	1.000	1,4 kg.	6000	~8,4 kg.	0,56
SKP-D1/006-M05		M5	3,6	6,0	6,0	5,3	10,0	15,0	1,0	1.000	1,6 kg.	6000	~9,6 kg.	0,56
SKP-D1/006-M06		M6	3,6	6,0	6,0	6,5	11,0	16,0	1,0	1.000	1,7 kg.	6000	~10,2 kg.	0,56
SKP-D1/006-M08		M8	3,6	6,0	6,0	8,4	14,0	19,0	1,0	500	1,1 kg.	3000	~6,6 kg.	0,77
SKP-D1/006-M10		M10	3,6	6,0	6,0	10,5	18,0	21,0	1,0	500	1,4 kg.	3000	~8,4 kg.	0,90
SKP-D1/006-M12		M12	3,6	6,0	6,0	13,0	18,0	21,0	1,0	500	1,4 kg.	3000	~8,4 kg.	1,00
SKP-D1/010-M05	10	M5	4,5	8,0	8,0	5,3	10,0	16,0	1,1	500	1,2 kg.	3000	~7,2 kg.	0,95
SKP-D1/010-M06		M6	4,5	8,0	8,0	6,5	11,0	17,0	1,1	500	1,3 kg.	3000	~7,8 kg.	1,00
SKP-D1/010-M08		M8	4,5	8,0	8,0	8,4	14,0	20,0	1,1	500	1,5 kg.	3000	~9,0 kg.	1,15
SKP-D1/010-M10		M10	4,5	8,0	8,0	10,5	18,0	21,0	1,1	500	1,8 kg.	3000	~10,8 kg.	1,35
SKP-D1/010-M12		M12	4,5	8,0	8,0	13,0	22,0	23,0	1,1	250	1,1 kg.	1500	~6,6 kg.	1,65
SKP-D1/016-M05	16	M5	5,8	10,5	10,0	5,3	11,0	20,0	1,2	500	1,9 kg.	3000	~11,4 kg.	1,50
SKP-D1/016-M06		M6	5,8	10,5	10,0	6,5	11,0	20,0	1,2	500	2,0 kg.	3000	~12,0 kg.	1,55
SKP-D1/016-M08		M8	5,8	10,5	10,0	8,4	14,0	22,0	1,2	250	1,1 kg.	1500	~6,6 kg.	1,60
SKP-D1/016-M10		M10	5,8	10,5	10,0	10,5	18,0	24,0	1,2	200	1,3 kg.	1500	~7,5 kg.	1,85
SKP-D1/016-M12		M12	5,8	10,5	10,0	13,0	22,0	26,0	1,2	200	1,2 kg.	1200	~7,2 kg.	2,00
SKP-D1/025-M05	25	M5	7,5	12,0	11,0	5,3	12,0	25,0	1,5	200	1,4 kg.	1200	~8,4 kg.	2,35
SKP-D1/025-M06		M6	7,5	12,0	11,0	6,5	12,0	25,0	1,5	200	1,2 kg.	1200	~7,2 kg.	2,35
SKP-D1/025-M08		M8	7,5	12,0	11,0	8,4	16,0	25,0	1,5	200	1,6 kg.	1200	~9,6 kg.	2,35
SKP-D1/025-M10		M10	7,5	12,0	11,0	10,5	18,0	26,0	1,5	200	1,7 kg.	1200	~10,2 kg.	2,80
SKP-D1/025-M12		M12	7,5	12,0	11,0	13,0	22,0	31,0	1,5	100	1,0 kg.	600	~6,0 kg.	3,30
SKP-D1/025-M14		M14	7,5	12,0	11,0	15,0	22,0	35,0	1,5	100	0,9 kg.	600	~5,4 kg.	3,75
SKP-D1/025-M16	M16	7,5	12,0	11,0	17,0	28,0	35,0	1,5	100	0,9 kg.	600	~5,4 kg.	3,75	
SKP-D1/035-M06	35	M6	9,0	15,0	12,0	6,5	15,0	26,0	1,6	200	2,0 kg.	1200	~12,0 kg.	3,30
SKP-D1/035-M08		M8	9,0	15,0	12,0	8,4	16,0	26,0	1,6	200	2,0 kg.	1200	~12,0 kg.	3,75
SKP-D1/035-M10		M10	9,0	15,0	12,0	10,5	18,0	27,0	1,6	100	1,0 kg.	600	~6,0 kg.	3,75
SKP-D1/035-M12		M12	9,0	15,0	12,0	13,0	22,0	31,0	1,6	100	1,2 kg.	600	~7,2 kg.	4,20
SKP-D1/035-M14		M14	9,0	15,0	12,0	15,0	22,0	31,0	1,6	100	1,4 kg.	600	~8,4 kg.	5,10
SKP-D1/035-M16		M16	9,0	15,0	12,0	17,0	28,0	36,0	1,6	100	1,5 kg.	600	~9,0 kg.	5,10

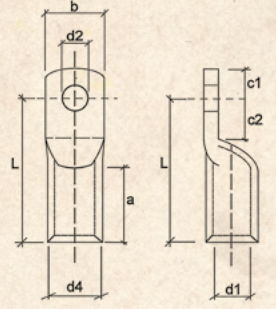
ÜRÜN KODU ORDER CODE	KABLO KESİTİ CABLE SECTION (mm)	CİVAĞA DELİĞİ BOLT	BOYUTLAR DIMENSIONS							KUTU ADEDİ BOX PCS.	KUTU AĞIRLIĞI BOX WEIGHT	KOLİ ADEDİ PARCEL PCS.	KOLİ AĞIRLIĞI BOX WEIGHT	BİRİM FİYATI UNIT PRICE TL
			d1	d4	a	d2	b	L	K					
SKP-D1/050-M06	50	M6	11,0	17,0	16,0	6,5	18,0	34,0	1,8	100	1,8 kg.	600	~10,8 kg.	6,10
SKP-D1/050-M08		M8	11,0	17,0	16,0	8,4	18,0	34,0	1,8	100	1,8 kg.	600	~10,8 kg.	6,10
SKP-D1/050-M10		M10	11,0	17,0	16,0	10,5	18,0	34,0	1,8	100	1,7 kg.	600	~10,2 kg.	6,10
SKP-D1/050-M12		M12	11,0	17,0	16,0	13,0	22,0	36,0	1,8	100	2,0 kg.	600	~12,0 kg.	6,60
SKP-D1/050-M14		M14	11,0	17,0	16,0	15,0	22,0	36,0	1,8	100	2,0 kg.	600	~12,0 kg.	8,95
SKP-D1/050-M16		M16	11,0	17,0	16,0	17,0	28,0	40,0	1,8	50	1,1 kg.	300	~6,6 kg.	8,95
SKP-D1/070-M06	70	M6	13,0	21,0	18,0	6,5	22,0	38,0	2,0	50	1,4 kg.	300	~8,4 kg.	8,45
SKP-D1/070-M08		M8	13,0	21,0	18,0	8,4	22,0	38,0	2,0	50	1,3 kg.	300	~7,8 kg.	8,45
SKP-D1/070-M10		M10	13,0	21,0	18,0	10,5	22,0	38,0	2,0	50	1,3 kg.	300	~7,8 kg.	8,90
SKP-D1/070-M12		M12	13,0	21,0	18,0	13,0	22,0	38,0	2,0	50	1,3 kg.	300	~7,8 kg.	8,90
SKP-D1/070-M14		M14	13,0	21,0	18,0	15,0	22,0	38,0	2,0	50	1,3 kg.	300	~7,8 kg.	9,40
SKP-D1/070-M16		M16	13,0	21,0	18,0	17,0	28,0	42,0	2,0	50	1,4 kg.	300	~8,4 kg.	9,40
SKP-D1/095-M08	95	M8	15,0	23,0	20,0	8,4	24,0	42,0	2,5	50	2,0 kg.	300	~12,0 kg.	12,75
SKP-D1/095-M10		M10	15,0	23,0	20,0	10,5	24,0	42,0	2,5	50	2,0 kg.	300	~12,0 kg.	12,75
SKP-D1/095-M12		M12	15,0	23,0	20,0	13,0	24,0	42,0	2,5	50	2,0 kg.	300	~12,0 kg.	12,75
SKP-D1/095-M14		M14	15,0	23,0	20,0	15,0	24,0	42,0	2,5	50	2,0 kg.	300	~12,0 kg.	13,15
SKP-D1/095-M16		M16	15,0	23,0	20,0	17,0	28,0	44,0	2,5	25	1,1 kg.	150	~6,6 kg.	13,15
SKP-D1/120-M08	120	M8	16,5	24,0	22,0	8,4	24,0	44,0	3,0	25	1,5 kg.	150	~9,0 kg.	17,50
SKP-D1/120-M10		M10	16,5	24,0	22,0	10,5	24,0	44,0	3,0	25	1,4 kg.	150	~8,4 kg.	17,50
SKP-D1/120-M12		M12	16,5	24,0	22,0	13,0	24,0	44,0	3,0	25	1,4 kg.	150	~8,4 kg.	17,50
SKP-D1/120-M14		M14	16,5	24,0	22,0	15,0	24,0	44,0	3,0	25	1,5 kg.	150	~9,0 kg.	19,75
SKP-D1/120-M16		M16	16,5	24,0	22,0	17,0	28,0	48,0	3,0	25	1,5 kg.	150	~9,0 kg.	19,75
SKP-D1/150-M10	150	M10	19,0	28,0	24,0	10,5	30,0	50,0	3,2	20	1,7 kg.	120	~10,2 kg.	30,15
SKP-D1/150-M12		M12	19,0	28,0	24,0	13,0	30,0	50,0	3,2	20	1,6 kg.	120	~9,6 kg.	30,15
SKP-D1/150-M14		M14	19,0	28,0	24,0	15,0	30,0	50,0	3,2	20	1,7 kg.	120	~10,2 kg.	30,15
SKP-D1/150-M16		M16	19,0	28,0	24,0	17,0	30,0	50,0	3,2	20	1,6 kg.	120	~10,2 kg.	30,15
SKP-D1/185-M10	185	M10	21,0	33,0	28,0	10,5	36,0	50,0	3,5	20	2,2 kg.	120	~13,2 kg.	40,00
SKP-D1/185-M12		M12	21,0	33,0	28,0	13,0	36,0	50,0	3,5	20	2,2 kg.	120	~13,2 kg.	40,00
SKP-D1/185-M14		M14	21,0	33,0	28,0	15,0	36,0	50,0	3,5	20	1,8 kg.	120	~10,8 kg.	40,00
SKP-D1/185-M16		M16	21,0	33,0	28,0	17,0	36,0	50,0	3,5	20	1,7 kg.	120	~10,2 kg.	40,00
SKP-D1/240-M10	240	M10	23,5	36,0	32,0	10,5	38,0	56,0	4,0	10	1,6 kg.	60	~9,6 kg.	54,75
SKP-D1/240-M12		M12	23,5	36,0	32,0	13,0	38,0	56,0	4,0	10	1,5 kg.	60	~9,0 kg.	53,00
SKP-D1/240-M14		M14	23,5	36,0	32,0	15,0	38,0	56,0	4,0	10	1,6 kg.	60	~9,6 kg.	54,75
SKP-D1/240-M16		M16	23,5	36,0	32,0	17,0	38,0	56,0	4,0	10	1,5 kg.	60	~9,0 kg.	53,00

SKP-D1 ÖZELLİKLERİ

HAMMADDE	E-CU ŞERİT
METERIAL	E-CU COPPER
KAPLAMA	KALAY
COATING	TIN PLATED
BAĞLANTI	SIKMA
JOINT	CLAMP COUPLING
NORM	DIN 46234
CONFORMED TO	DIN 46234



SKP-DG



DAR GİRİŞLİ SALT MALZEMELERİ İÇİN SIKMALI KABLO PABUCU TUBULAR CABLE LUGS FOR SWITCH GEAR CONNECTORS

5846 sayılı yasa gereği fotoğrafların izinsiz yayınlanması ve kullanılması kesinlikle yasaktır.

ÜRÜN KODU ORDER CODE	KABLO KESİTİ CABLE SECTION (mm)	CİVATA DELİĞİ BOLT	BOYUTLAR DIMENSIONS								KUTU ADEDİ BOX PCS.	KUTU AĞIRLIĞI BOX WEIGHT	KOLİ ADEDİ PARCEL PCS.	KOLİ AĞIRLIĞI BOX WEIGHT	BİRİM FİYATI UNIT PRICE TL
			d1	d4	a	d2	b	c1	c2	L					
SKP-DG/035-M06	35	M6	8,5	12,0	17,0	6,5	15,0	7,5	7,5	32,0	150	~2,7 kg.	900	~16,2 kg.	6,15
SKP-DG/050-M06	50	M6	10,0	14,0	19,0	6,5	15,0	10,0	10,0	37,0	100	~2,9 kg.	600	~17,4 kg.	9,40
SKP-DG/050-M08		M8	10,0	14,0	19,0	8,5	17,0	10,0	10,0	37,0	100	~2,8 kg.	600	~16,8 kg.	9,40
SKP-DG/050-M10		M10	10,0	14,0	19,0	10,5	19,0	11,5	12,0	39,0	100	~3,1 kg.	600	~18,6 kg.	9,40
SKP-DG/070-M06	70	M6	12,0	16,5	21,0	6,5	17,0	10,0	10,0	43,0	80	~3,4 kg.	480	~20,4 kg.	12,60
SKP-DG/070-M08		M8	12,0	16,5	21,0	8,5	17,0	10,0	10,0	43,0	80	~3,3 kg.	480	~19,8 kg.	12,60
SKP-DG/070-M10		M10	12,0	16,5	21,0	10,5	19,0	11,5	12,0	44,0	80	~3,6 kg.	480	~21,6 kg.	12,60
SKP-DG/070-M12		M12	12,0	16,5	21,0	13,0	19,0	13,0	13,0	46,0	80	~3,4 kg.	480	~20,4 kg.	15,50
SKP-DG/095-M06	95	M6	13,5	18,0	25,0	6,5	19,0	11,5	12,0	48,0	60	~3,3 kg.	360	~19,8 kg.	16,80
SKP-DG/095-M08		M8	13,5	18,0	25,0	8,5	19,0	11,5	12,0	48,0	60	~3,3 kg.	360	~19,8 kg.	16,80
SKP-DG/095-M10		M10	13,5	18,0	25,0	10,5	19,0	11,5	12,0	48,0	60	~3,1 kg.	360	~18,6 kg.	16,80
SKP-DG/095-M12		M12	13,5	18,0	25,0	13,0	19,0	13,0	13,0	49,0	60	~3,1 kg.	360	~18,6 kg.	16,80
SKP-DG/120-M06	120	M6	15,0	19,5	26,0	6,5	19,0	11,5	14,0	51,0	50	~3,1 kg.	300	~18,6 kg.	19,50
SKP-DG/120-M08		M8	15,0	19,5	26,0	8,5	19,0	11,5	14,0	51,0	50	~3,0 kg.	300	~18,0 kg.	19,50
SKP-DG/120-M10		M10	15,0	19,5	26,0	10,5	19,0	11,5	14,0	51,0	50	~2,9 kg.	300	~17,4 kg.	19,50
SKP-DG/120-M12		M12	15,0	19,5	26,0	13,0	19,0	14,0	14,0	51,0	50	~3,0 kg.	300	~18,0 kg.	19,50
SKP-DG/150-M06	150	M6	16,5	21,0	30,0	6,5	19,0	11,5	14,0	56,0	40	~2,7 kg.	240	~16,2 kg.	25,00
SKP-DG/150-M08		M8	16,5	21,0	30,0	8,5	19,0	11,5	14,0	56,0	40	~2,7 kg.	240	~16,2 kg.	25,00
SKP-DG/150-M10		M10	16,5	21,0	30,0	10,5	19,0	11,5	14,0	56,0	40	~2,7 kg.	240	~16,2 kg.	25,00
SKP-DG/150-M12		M12	16,5	21,0	30,0	13,0	19,0	15,0	15,0	57,0	40	~2,9 kg.	240	~17,4 kg.	25,00
SKP-DG/185-M10	185	M10	19,0	24,0	30,0	10,5	24,5	11,5	18,0	65,0	25	~2,7 kg.	150	~16,2 kg.	36,25
SKP-DG/185-M12		M12	19,0	24,0	30,0	13,0	31,0	18,0	18,0	65,0	25	~2,8 kg.	150	~16,8 kg.	36,25
SKP-DG/185-M16		M16	19,0	24,0	30,0	17,0	31,0	18,0	18,0	65,0	25	~2,4 kg.	150	~14,4 kg.	36,25
SKP-DG/240-M10	240	M10	21,0	26,0	35,0	10,5	31,0	11,5	19,0	72,0	20	~2,5 kg.	120	~15,0 kg.	45,00
SKP-DG/240-M12		M12	21,0	26,0	35,0	13,0	31,0	21,5	19,0	72,0	20	~2,8 kg.	120	~16,8 kg.	45,00
SKP-DG/240-M16		M16	21,0	26,0	35,0	17,0	31,0	21,5	19,0	72,0	20	~2,7 kg.	120	~16,2 kg.	45,00
SKP-DG/300-M10	300	M10	23,5	29,5	44,0	10,5	31,0	11,5	24,0	87,0	10	~2,0 kg.	60	~12,0 kg.	65,00
SKP-DG/300-M12		M12	23,5	29,5	44,0	13,0	31,0	24,0	24,0	87,0	10	~2,3 kg.	60	~13,8 kg.	65,00
SKP-DG/300-M16		M16	23,5	29,5	44,0	17,0	31,0	24,0	24,0	87,0	10	~2,3 kg.	60	~13,8 kg.	65,00

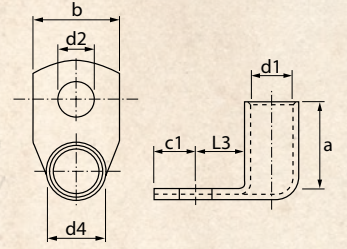
SKP-DG ÖZELLİKLERİ

HAMMADDE	EN 13600 BAKIR BORU
MATERİAL	ELECTROLYTIC COPPER CONFORMED TO EN 13600
KAPLAMA	KALAY
COATING	TIN PLATED
BAĞLANTI	SIKMA / DAR DİRİŞLİ
JOINT	CLAMP COUPLING / FOR REDUCED CONNECTING
BORU ET KALINLIĞI	ÇOK KALIN
THICKNESS	VERY THICK
KABLO GİRİŞİ	ÇOK UZUN
CABLE ENTRY	VERY LONG

TALEP EDİLMESİ DURUMUNDA 45 VE 90 DERECE ÜRETİMİMİZ BULUNMAKTADIR.
UPON REQUEST, IT IS AVAILABLE IN 45 & 90 DEGREES.



SKP-L90-S

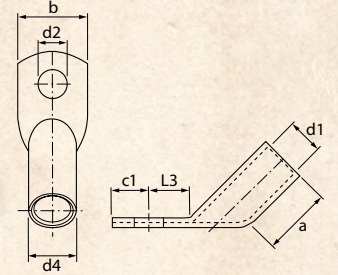


90° AÇILI SIKMALI KABLO PABUCU STANDART TİP (S)
STANDARD TYPE 90° TUBULAR CABLE LUGS

5846 sayılı yasa gereği fotoğrafların izinsiz yayınlanması ve kullanılması kesinlikle yasaktır.

ÜRÜN KODU ORDER CODE	KABLO KESİTİ CABLE SECTION (mm)	CİVATA DELİĞİ BOLT	BOYUTLAR DIMENSIONS							KUTU ADEĐİ BOX PCS.	KUTU AĞIRLIĞI BOX WEIGHT	BİRİM FİYATI UNIT PRICE TL
			d1	d4	a	d2	b	c1	L3			
SKP-L90-S/010-M05	10	M5	4,5	6,5	11,5	5,5	12,0	5,5	7,0	400	~1,9 kg.	1,50
SKP-L90-S/016-M06	16	M6	5,5	7,5	13,0	6,5	12,0	5,5	6,5	300	~2,3 kg.	2,10
SKP-L90-S/025-M08	25	M8	7,0	9,5	17,5	8,5	13,5	6,8	9,2	200	~2,6 kg.	3,40
SKP-L90-S/035-M08	35	M8	8,5	11,0	20,0	8,5	16,0	8,3	9,7	150	~1,8 kg.	4,60
SKP-L90-S/050-M10	50	M10	10,0	13,0	22,5	10,5	19,0	10,0	12,0	100	~2,1 kg.	7,50
SKP-L90-S/070-M10	70	M10	11,5	14,5	24,0	10,5	21,5	10,0	12,0	80	~1,9 kg.	10,50
SKP-L90-S/095-M12	95	M12	13,5	16,5	27,0	13,0	25,0	10,0	12,0	40	~1,9 kg.	12,50
SKP-L90-S/120-M12	120	M12	14,5	18,0	30,0	13,0	29,0	13,0	14,5	30	~1,9 kg.	16,00
SKP-L90-S/150-M12	150	M12	16,5	21,0	30,0	13,0	31,0	14,0	17,0	25	~2,2 kg.	22,50
SKP-L90-S/185-M12	185	M12	18,5	23,0	34,5	13,0	37,0	17,0	18,0	20	~2,6 kg.	32,25
SKP-L90-S/240-M12	240	M12	21,0	26,0	35,0	13,0	41,0	17,0	18,0	15	~2,4 kg.	37,25

SKP-L45-S



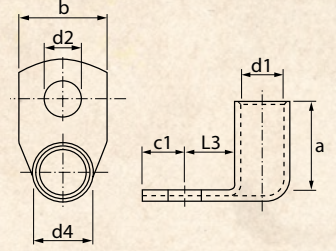
45° AÇILI SIKMALI KABLO PABUCU STANDART TİP (S)
STANDARD TYPE 45° TUBULAR CABLE LUGS

5846 sayılı yasa gereği fotoğrafların izinsiz yayınlanması ve kullanılması kesinlikle yasaktır.

ÜRÜN KODU ORDER CODE	KABLO KESİTİ CABLE SECTION (mm)	CİVATA DELİĞİ BOLT	BOYUTLAR DIMENSIONS							KUTU ADEĐİ BOX PCS.	KUTU AĞIRLIĞI BOX WEIGHT	BİRİM FİYATI UNIT PRICE TL
			d1	d4	a	d2	b	c1	L3			
SKP-L45-S/010-M05	10	M5	4,5	6,5	11,5	5,5	12,0	5,5	7,0	700	~1,9 kg.	1,50
SKP-L45-S/016-M06	16	M6	5,5	7,5	13,0	6,5	12,0	5,5	6,5	500	~2,1 kg.	2,10
SKP-L45-S/025-M08	25	M8	7,0	9,5	17,5	8,5	13,5	6,8	9,2	200	~2,5 kg.	3,40
SKP-L45-S/035-M08	35	M8	8,5	11,0	20,0	8,5	16,0	8,3	9,7	125	~2,1 kg.	4,60
SKP-L45-S/050-M10	50	M10	10,0	13,0	22,5	10,5	19,0	10,0	12,0	80	~2,2 kg.	7,50
SKP-L45-S/070-M10	70	M10	11,5	14,5	24,0	10,5	21,5	10,0	12,0	60	~2,1 kg.	10,50
SKP-L45-S/095-M12	95	M12	13,5	16,5	27,0	13,0	25,0	10,0	12,0	40	~1,9 kg.	12,50
SKP-L45-S/120-M12	120	M12	14,5	18,0	30,0	13,0	29,0	13,0	14,5	30	~1,9 kg.	16,00
SKP-L45-S/150-M12	150	M12	16,5	21,0	30,0	13,0	31,0	14,0	17,0	25	~2,4 kg.	22,50
SKP-L45-S/185-M12	185	M12	18,5	23,0	34,5	13,0	37,0	17,0	18,0	20	~2,4 kg.	32,25
SKP-L45-S/240-M12	240	M12	21,0	26,0	35,0	13,0	41,0	17,0	18,0	15	~2,5 kg.	37,25

SKP-L90-S1

90° AÇILI EUROPE TİP (S1) KABLO PABUCU
EUROPE TYPE (S1) 90° ANGULAR CABLE LUGS



5846 sayılı yasa gereği fotoğrafların izinsiz yayınlanması ve kullanılması kesinlikle yasaktır.

ÜRÜN KODU ORDER CODE	KABLO KESİTİ CABLE SECTION (mm)	CİVATA DELİĞİ BOLT	BOYUTLAR DIMENSIONS							KUTU ADEDİ BOX PCS.	KUTU AĞIRLIĞI BOX WEIGHT	KOLİ ADEDİ PARCEL PCS.	KOLİ AĞIRLIĞI BOX WEIGHT	BİRİM FİYATI UNIT PRICE TL
			d1	d4	a	d2	b	c1	L3					
SKP-L90-S1/006-M05	6	M5	3,5	6,5	13,0	5,5	10,0	7,5	9,0	500	~3,2 kg.	3.000	~19,2 kg	2,10
SKP-L90-S1/006-M06		M6	3,5	6,5	13,0	6,5	12,0	7,5	10,0	500	~3,3 kg.	3.000	~19,8 kg	2,10
SKP-L90-S1/006-M08		M8	3,5	6,5	13,0	8,5	14,0	10,0	13,0	500	~3,3 kg.	3.000	~19,8 kg	2,25
SKP-L90-S1/010-M05	10	M5	4,5	7,5	14,0	5,5	12,0	6,5	10,0	400	~2,4 kg.	2.400	~14,4 kg	2,25
SKP-L90-S1/010-M06		M6	4,5	7,5	14,0	6,5	12,0	6,5	10,0	400	~2,3 kg.	2.400	~13,8 kg	2,25
SKP-L90-S1/010-M08		M8	4,5	7,5	14,0	8,5	15,0	10,0	13,0	300	~2,0 kg.	1.800	~12,0 kg	2,30
SKP-L90-S1/016-M05	16	M5	5,5	8,5	17,0	5,5	12,0	7,5	10,0	300	~3,3 kg.	1.800	~19,8 kg	3,55
SKP-L90-S1/016-M06		M6	5,5	8,5	17,0	6,5	12,0	7,5	11,0	300	~3,4 kg.	1.800	~20,4 kg	3,55
SKP-L90-S1/016-M08		M8	5,5	8,5	17,0	8,5	15,0	10,0	13,0	250	~3,0 kg.	1.500	~18,0 kg	3,55
SKP-L90-S1/016-M10		M10	5,5	8,5	17,0	10,5	17,0	12,0	15,0	250	~2,9 kg.	1.500	~17,4 kg	4,20
SKP-L90-S1/025-M05	25	M5	7,0	10,0	19,0	5,5	14,0	7,5	11,0	200	~3,3 kg.	1.200	~19,8 kg	5,15
SKP-L90-S1/025-M06		M6	7,0	10,0	19,0	6,5	14,0	7,5	11,0	200	~3,3 kg.	1.200	~19,8 kg	5,15
SKP-L90-S1/025-M08		M8	7,0	10,0	19,0	8,5	16,0	10,0	13,0	200	~3,2 kg.	1.200	~19,2 kg	5,15
SKP-L90-S1/025-M10		M10	7,0	10,0	19,0	10,5	18,0	12,0	15,0	150	~2,6 kg.	900	~15,6 kg	5,70
SKP-L90-S1/025-M12		M12	7,0	10,0	19,0	13,0	19,0	13,0	18,0	150	~2,3 kg.	900	~13,8 kg	6,50
SKP-L90-S1/035-M06	35	M6	8,5	12,0	23,0	6,5	17,0	7,5	11,0	125	~3,0 kg.	750	~18,0 kg	7,55
SKP-L90-S1/035-M08		M8	8,5	12,0	23,0	8,5	17,0	10,0	13,0	100	~2,5 kg.	600	~15,0 kg	7,55
SKP-L90-S1/035-M10		M10	8,5	12,0	23,0	10,5	19,0	12,0	15,0	100	~2,7 kg.	600	~16,2 kg	9,10
SKP-L90-S1/035-M12		M12	8,5	12,0	23,0	13,0	21,0	13,0	18,0	100	~2,7 kg.	600	~16,2 kg	10,50
SKP-L90-S1/050-M06	50	M6	10,0	14,0	25,0	6,5	20,0	10,0	13,0	80	~3,0 kg.	480	~18,0 kg	12,00
SKP-L90-S1/050-M08		M8	10,0	14,0	25,0	8,5	20,0	10,0	13,0	80	~3,0 kg.	480	~18,0 kg	12,00
SKP-L90-S1/050-M10		M10	10,0	14,0	25,0	10,5	20,0	12,0	16,0	70	~2,8 kg.	420	~16,8 kg	12,00
SKP-L90-S1/050-M12		M12	10,0	14,0	25,0	13,0	23,0	13,0	18,0	70	~2,8 kg.	420	~16,8 kg	12,50
SKP-L90-S1/070-M06	70	M6	12,0	16,5	29,0	6,5	23,0	10,0	13,0	60	~3,2 kg.	360	~19,2 kg	13,90
SKP-L90-S1/070-M08		M8	12,0	16,5	29,0	8,5	23,0	10,0	14,0	60	~3,1 kg.	360	~18,6 kg	13,90
SKP-L90-S1/070-M10		M10	12,0	16,5	29,0	10,5	23,0	12,0	16,0	50	~2,9 kg.	300	~17,4 kg	13,90
SKP-L90-S1/070-M12		M12	12,0	16,5	29,0	13,0	23,0	13,0	18,0	50	~2,7 kg.	300	~16,2 kg	14,50
SKP-L90-S1/095-M08	95	M8	13,5	18,0	33,0	8,5	26,0	12,0	14,0	40	~2,7 kg.	240	~16,2 kg	16,50
SKP-L90-S1/095-M10		M10	13,5	18,0	33,0	10,5	26,0	12,0	17,0	40	~2,8 kg.	240	~16,8 kg	16,50
SKP-L90-S1/095-M12		M12	13,5	18,0	33,0	13,0	26,0	13,0	18,0	40	~2,8 kg.	240	~16,8 kg	16,50
SKP-L90-S1/095-M16		M16	13,5	18,0	33,0	17,0	28,0	16,0	22,0	35	~2,5 kg.	210	~15,0 kg	18,75
SKP-L90-S1/120-M08	120	M8	15,0	19,5	36,0	8,5	28,0	14,0	16,0	30	~2,4 kg.	180	~14,4 kg	19,75
SKP-L90-S1/120-M10		M10	15,0	19,5	36,0	10,5	28,0	14,0	17,0	30	~2,4 kg.	180	~14,4 kg	19,75
SKP-L90-S1/120-M12		M12	15,0	19,5	36,0	13,0	28,0	14,0	18,0	30	~2,4 kg.	180	~14,4 kg	19,75
SKP-L90-S1/120-M16		M16	15,0	19,5	36,0	17,0	30,0	16,0	22,0	25	~1,8 kg.	150	~10,8 kg	22,50
SKP-L90-S1/150-M08	150	M8	16,5	21,0	40,0	8,5	31,0	14,0	16,0	25	~2,2 kg.	150	~13,2 kg	23,00
SKP-L90-S1/150-M10		M10	16,5	21,0	40,0	10,5	31,0	14,0	17,0	25	~2,2 kg.	150	~13,2 kg	23,00
SKP-L90-S1/150-M12		M12	16,5	21,0	40,0	13,0	31,0	15,0	18,0	25	~2,2 kg.	150	~13,2 kg	23,00
SKP-L90-S1/150-M16		M16	16,5	21,0	40,0	17,0	31,0	16,0	22,0	20	~1,8 kg.	120	~10,8 kg	25,00
SKP-L90-S1/150-M20		M20	16,5	21,0	40,0	21,0	36,0	22,0	24,0	20	~1,8 kg.	120	~10,8 kg	30,00

ÜRÜN KODU ORDER CODE	KABLO KESİTİ CABLE SECTION (mm)	CİVATA DELİĞİ BOLT	BOYUTLAR DIMENSIONS							KUTU ADEDİ BOX PCS.	KUTU AĞIRLIĞI BOX WEIGHT	KOLİ ADEDİ PARCEL PCS.	KOLİ AĞIRLIĞI BOX WEIGHT	BİRİM FİYATI UNIT PRICE TL
			d1	d4	a	d2	b	c1	L3					
SKP-L90-S1/185-M10	185	M10	19,0	24,0	42,0	10,5	35,0	18,0	22,0	20	~3,0 kg.	120	~18,0 kg.	33,25
SKP-L90-S1/185-M12		M12	19,0	24,0	42,0	13,0	35,0	18,0	22,0	20	~2,9 kg.	120	~17,4 kg.	33,25
SKP-L90-S1/185-M16		M16	19,0	24,0	42,0	17,0	35,0	18,0	22,0	15	~2,8 kg.	90	~16,8 kg.	33,25
SKP-L90-S1/185-M20		M20	19,0	24,0	42,0	21,0	39,0	22,0	24,0	15	~2,8 kg.	90	~16,8 kg.	39,00
SKP-L90-S1/240-M10	240	M10	21,0	26,0	45,0	10,5	39,0	21,5	22,0	15	~2,4 kg.	90	~14,4 kg.	38,25
SKP-L90-S1/240-M12		M12	21,0	26,0	45,0	13,0	39,0	21,5	22,0	15	~2,4 kg.	90	~14,4 kg.	38,25
SKP-L90-S1/240-M16		M16	21,0	26,0	45,0	17,0	39,0	21,5	22,0	10	~1,6 kg.	60	~9,6 kg.	38,25
SKP-L90-S1/240-M20		M20	21,0	26,0	45,0	21,0	39,0	21,5	24,0	10	~1,6 kg.	60	~9,6 kg.	43,00
SKP-L90-S1/300-M12	300	M12	23,5	29,5	56,0	13,0	43,0	24,0	24,0	8	~1,9 kg.	48	~11,4 kg.	72,00
SKP-L90-S1/300-M16		M16	23,5	29,5	56,0	17,0	43,0	24,0	24,0	8	~1,8 kg.	48	~10,8 kg.	72,00
SKP-L90-S1/300-M20		M20	23,5	29,5	56,0	21,0	43,0	24,0	24,0	8	~1,8 kg.	48	~10,8 kg.	72,00
SKP-L90-S1/400-M12	400	M12	27,0	34,0	60,0	13,0	49,0	24,0	24,0	6	~2,0 kg.	36	~12,0 kg.	100,00
SKP-L90-S1/400-M16		M16	27,0	34,0	60,0	17,0	49,0	24,0	24,0	6	~1,9 kg.	36	~11,4 kg.	100,00
SKP-L90-S1/400-M20		M20	27,0	34,0	60,0	21,0	49,0	24,0	24,0	6	~1,9 kg.	36	~11,4 kg.	100,00
SKP-L90-S1/500-M12	500	M12	30,0	38,0	47,0	13,0	56,0	24,0	24,0	6	~2,7 kg.	36	~16,2 kg.	162,00
SKP-L90-S1/500-M16		M16	30,0	38,0	47,0	17,0	56,0	24,0	24,0	6	~2,7 kg.	36	~16,2 kg.	162,00
SKP-L90-S1/500-M20		M20	30,0	38,0	47,0	21,0	56,0	24,0	24,0	6	~2,7 kg.	36	~16,2 kg.	162,00

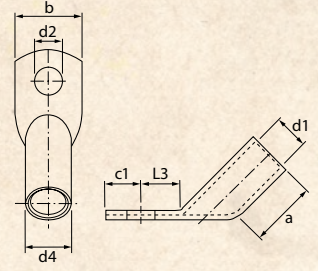
SKP-L90-S1 ÖZELLİKLERİ

HAMMADDE	EN 13600 BAKIR BORU
MATERİAL	ELECTROLYTIC COPPER CONFORMED TO EN 13600
KAPLAMA	KALAY
COATING	TIN PLATED
BAĞLANTI	SIKMA
JOINT	CLAMP COUPLING
BORU ET KALINLIĞI	ÇOK KALIN
THICKNESS	VERY THICK
KABLO GİRİŞİ	UZUN
CABLE ENTRY	LONG



SKP-L45-S1

45° AÇILI EUROPE TİP (S1) KABLO PABUCU
EUROPE TYPE (S1) 45° ANGULAR CABLE LUGS



5846 sayılı yasa gereği fotoğrafların izinsiz yayınlanması ve kullanılması kesinlikle yasaktır.

ÜRÜN KODU ORDER CODE	KABLO KESİTİ CABLE SECTION (mm)	CİVATA DELİĞİ BOLT	BOYUTLAR DIMENSIONS							KUTU ADEDİ BOX PCS.	KUTU AĞIRLIĞI BOX WEIGHT	KOLİ ADEDİ PARCEL PCS.	KOLİ AĞIRLIĞI BOX WEIGHT	BİRİM FİYATI UNIT PRICE TL
			d1	d4	a	d2	b	c1	L3					
SKP-L45-S1/006-M05	6	M5	3,5	6,5	9,0	5,5	10,0	7,5	9,0	600	~3,6 kg.	3.600	~21,6 kg.	2,10
SKP-L45-S1/006-M06		M6	3,5	6,5	9,0	6,5	12,0	7,5	10,0	600	~3,7 kg.	3.600	~22,2 kg.	2,10
SKP-L45-S1/006-M08		M8	3,5	6,5	9,0	8,5	14,0	10,0	13,0	600	~3,8 kg.	3.600	~22,8 kg.	2,25
SKP-L45-S1/010-M05	10	M5	4,5	7,5	10,0	5,5	12,0	6,5	10,0	500	~2,4 kg.	3.000	~14,4 kg.	2,25
SKP-L45-S1/010-M06		M6	4,5	7,5	10,0	6,5	12,0	6,5	10,0	500	~2,8 kg.	3.000	~16,8 kg.	2,25
SKP-L45-S1/010-M08		M8	4,5	7,5	10,0	8,5	15,0	10,0	13,0	400	~3,6 kg.	2.400	~21,6 kg.	2,30
SKP-L45-S1/016-M05	16	M5	5,5	8,5	13,0	5,5	12,0	7,5	10,0	300	~3,1 kg.	1.800	~18,6 kg.	3,55
SKP-L45-S1/016-M06		M6	5,5	8,5	13,0	6,5	12,0	7,5	11,0	300	~3,1 kg.	1.800	~18,6 kg.	3,55
SKP-L45-S1/016-M08		M8	5,5	8,5	13,0	8,5	15,0	10,0	13,0	250	~2,9 kg.	1.500	~17,4 kg.	3,55
SKP-L45-S1/016-M10		M10	5,5	8,5	13,0	10,5	17,0	12,0	15,0	200	~3,2 kg.	1.200	~19,2 kg.	4,20
SKP-L45-S1/025-M05	25	M5	7,0	10,0	15,0	5,5	14,0	7,5	11,0	200	~3,9 kg.	1.200	~23,4 kg.	5,15
SKP-L45-S1/025-M06		M6	7,0	10,0	15,0	6,5	14,0	7,5	11,0	200	~2,8 kg.	1.200	~16,8 kg.	5,15
SKP-L45-S1/025-M08		M8	7,0	10,0	15,0	8,5	16,0	10,0	13,0	200	~3,0 kg.	1.200	~18,0 kg.	5,15
SKP-L45-S1/025-M10		M10	7,0	10,0	15,0	10,5	18,0	12,0	15,0	150	~2,5 kg.	900	~15,0 kg.	5,70
SKP-L45-S1/025-M12		M12	7,0	10,0	15,0	13,0	19,0	13,0	18,0	150	~2,5 kg.	900	~15,0 kg.	6,50
SKP-L45-S1/035-M06	35	M6	8,5	12,0	17,0	6,5	17,0	7,5	11,0	125	~3,0 kg.	750	~18,0 kg.	7,55
SKP-L45-S1/035-M08		M8	8,5	12,0	17,0	8,5	17,0	10,0	13,0	125	~3,0 kg.	750	~18,0 kg.	7,55
SKP-L45-S1/035-M10		M10	8,5	12,0	17,0	10,5	19,0	12,0	15,0	100	~2,5 kg.	600	~15,0 kg.	9,10
SKP-L45-S1/035-M12		M12	8,5	12,0	17,0	13,0	21,0	13,0	18,0	80	~2,4 kg.	480	~14,4 kg.	10,50
SKP-L45-S1/050-M06	50	M6	10,0	14,0	19,0	6,5	20,0	10,0	13,0	80	~2,9 kg.	480	~17,4 kg.	12,00
SKP-L45-S1/050-M08		M8	10,0	14,0	19,0	8,5	20,0	10,0	13,0	80	~2,9 kg.	480	~17,4 kg.	12,00
SKP-L45-S1/050-M10		M10	10,0	14,0	19,0	10,5	20,0	12,0	16,0	80	~3,0 kg.	480	~18,0 kg.	12,50
SKP-L45-S1/050-M12		M12	10,0	14,0	19,0	13,0	23,0	13,0	18,0	70	~3,0 kg.	420	~18,0 kg.	12,50
SKP-L45-S1/070-M06	70	M6	12,0	16,5	21,0	6,5	23,0	10,0	13,0	60	~3,2 kg.	360	~19,2 kg.	13,90
SKP-L45-S1/070-M08		M8	12,0	16,5	21,0	8,5	23,0	10,0	14,0	60	~3,0 kg.	360	~18,0 kg.	13,90
SKP-L45-S1/070-M10		M10	12,0	16,5	21,0	10,5	23,0	12,0	16,0	60	~3,2 kg.	360	~19,2 kg.	13,90
SKP-L45-S1/070-M12		M12	12,0	16,5	21,0	13,0	23,0	13,0	18,0	50	~2,7 kg.	300	~16,2 kg.	14,50
SKP-L45-S1/095-M08	95	M8	13,5	18,0	25,0	8,5	26,0	12,0	14,0	40	~2,5 kg.	240	~15,0 kg.	16,50
SKP-L45-S1/095-M10		M10	13,5	18,0	25,0	10,5	26,0	12,0	17,0	40	~2,6 kg.	240	~15,6 kg.	16,50
SKP-L45-S1/095-M12		M12	13,5	18,0	25,0	13,0	26,0	13,0	18,0	40	~2,8 kg.	240	~16,8 kg.	16,50
SKP-L45-S1/095-M16		M16	13,5	18,0	25,0	17,0	28,0	16,0	22,0	40	~2,8 kg.	240	~16,8 kg.	18,75
SKP-L45-S1/120-M08	120	M8	15,0	19,5	26,0	8,5	28,0	14,0	16,0	30	~2,3 kg.	180	~13,8 kg.	19,75
SKP-L45-S1/120-M10		M10	15,0	19,5	26,0	10,5	28,0	14,0	17,0	30	~2,3 kg.	180	~13,8 kg.	19,75
SKP-L45-S1/120-M12		M12	15,0	19,5	26,0	13,0	28,0	14,0	18,0	30	~2,3 kg.	180	~13,8 kg.	19,75
SKP-L45-S1/120-M16		M16	15,0	19,5	26,0	17,0	30,0	16,0	22,0	30	~2,2 kg.	180	~13,2 kg.	22,50
SKP-L45-S1/150-M08	150	M8	16,5	21,0	30,0	8,5	31,0	14,0	16,0	25	~2,4 kg.	150	~14,4 kg.	23,00
SKP-L45-S1/150-M10		M10	16,5	21,0	30,0	10,5	31,0	14,0	17,0	25	~2,2 kg.	150	~13,2 kg.	23,00
SKP-L45-S1/150-M12		M12	16,5	21,0	30,0	13,0	31,0	15,0	18,0	25	~2,4 kg.	150	~14,4 kg.	23,00
SKP-L45-S1/150-M16		M16	16,5	21,0	30,0	17,0	31,0	16,0	22,0	25	~2,3 kg.	150	~13,8 kg.	25,00
SKP-L45-S1/150-M20		M20	16,5	21,0	30,0	21,0	36,0	22,0	24,0	25	~2,2 kg.	150	~13,2 kg.	30,00

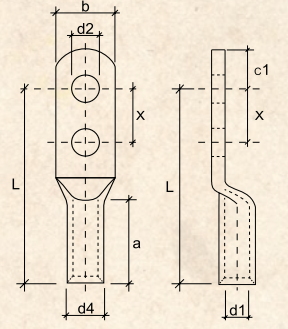
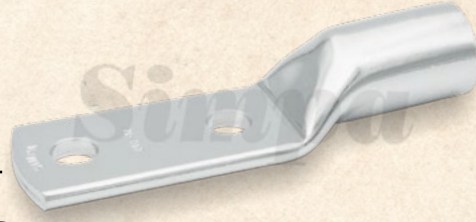
ÜRÜN KODU ORDER CODE	KABLO KESİTİ CABLE SECTION (mm)	CİVATA DELİĞİ BOLT	BOYUTLAR DIMENSIONS							KUTU ADEDİ BOX PCS.	KUTU AĞIRLIĞI BOX WEIGHT	KOLİ ADEDİ PARCEL PCS.	KOLİ AĞIRLIĞI BOX WEIGHT	BİRİM FIYATI UNIT PRICE TL
			d1	d4	a	d2	b	c1	L3					
SKP-L45-S1/185-M10	185	M10	19,0	24,0	30,0	10,5	35,0	18,0	22,0	20	~2,7 kg.	120	~16,2 kg.	33,25
SKP-L45-S1/185-M12		M12	19,0	24,0	30,0	13,0	35,0	18,0	22,0	20	~2,7 kg.	120	~16,2 kg.	33,25
SKP-L45-S1/185-M16		M16	19,0	24,0	30,0	17,0	35,0	18,0	22,0	20	~2,4 kg.	120	~14,4 kg.	33,25
SKP-L45-S1/185-M20		M20	19,0	24,0	30,0	21,0	39,0	22,0	24,0	20	~2,4 kg.	120	~14,4 kg.	39,00
SKP-L45-S1/240-M10	240	M10	21,0	26,0	35,0	10,5	39,0	21,5	22,0	15	~2,4 kg.	90	~14,4 kg.	38,25
SKP-L45-S1/240-M12		M12	21,0	26,0	35,0	13,0	39,0	21,5	22,0	15	~2,5 kg.	90	~15,0 kg.	38,25
SKP-L45-S1/240-M16		M16	21,0	26,0	35,0	17,0	39,0	21,5	22,0	15	~2,4 kg.	90	~14,4 kg.	38,25
SKP-L45-S1/240-M20		M20	21,0	26,0	35,0	21,0	39,0	21,5	24,0	15	~2,3 kg.	90	~13,8 kg.	43,00
SKP-L45-S1/300-M12	300	M12	23,5	29,5	44,0	13,0	43,0	24,0	24,0	8	~2,1 kg.	48	~12,6 kg.	72,00
SKP-L45-S1/300-M16		M16	23,5	29,5	44,0	17,0	43,0	24,0	24,0	8	~2,1 kg.	48	~12,6 kg.	72,00
SKP-L45-S1/300-M20		M20	23,5	29,5	44,0	21,0	43,0	24,0	24,0	8	~2,1 kg.	48	~12,6 kg.	72,00
SKP-L45-S1/400-M12	400	M12	27,0	34,0	44,0	13,0	49,0	24,0	24,0	6	~2,1 kg.	36	~12,6 kg.	100,00
SKP-L45-S1/400-M16		M16	27,0	34,0	44,0	17,0	49,0	24,0	24,0	6	~2,1 kg.	36	~12,6 kg.	100,00
SKP-L45-S1/400-M20		M20	27,0	34,0	44,0	21,0	49,0	24,0	24,0	6	~2,0 kg.	36	~12,0 kg.	100,00

SKP-L45-S1 ÖZELLİKLERİ

HAMMADDE MATERIAL	EN 13600 BAKIR BORU ELECTROLYTIC COPPER CONFORMED TO EN 13600
KAPLAMA COATING	KALAY TIN PLATED
BAĞLANTI JOINT	SIKMA CLAMP COUPLING
BORU ET KALINLIĞI THICKNESS	ÇOK KALIN VERY THICK
KABLO GİRİŞİ CABLE ENTRY	UZUN LONG



SKP-C



ÇİFT DELİKLİ SIKMALI KABLO PABUCU TUBULAR CABLE LUGS WITH TWO CONNECTION HOLES

5846 sayılı yasa gereği fotoğrafların izinsiz yayınlanması ve kullanılması kesinlikle yasaktır.

ÜRÜN KODU ORDER CODE	KABLO KESİTİ CABLE SECTION (mm)	CİVATA DELİĞİ BOLT	BOYUTLAR DIMENSIONS								KUTU ADEĐİ BOX PCS.	KUTU AĞIRLIĞI BOX WEIGHT	BİRİM FİYATI UNIT PRICE TL
			d1	d4	a	d2	b	C1	X	L			
SKP-C/016-M06/X16	16	M6	5,5	8,5	20,0	6,4	12,0	10,0	16,0	53,0	150	~2,3 kg.	5,30
SKP-C/016-M06/X25		M6	5,5	8,5	20,0	7,0	12,0	10,0	25,0	62,0	150		6,30
SKP-C/025-M06/X16	25	M6	7,0	10,0	20,0	6,4	14,0	10,0	16,0	54,0	100	~2,1 kg.	6,80
SKP-C/025-M06/X25		M6	7,0	10,0	20,0	7,0	14,0	10,0	25,0	63,0	100		8,30
SKP-C/025-M08/X16		M8	7,0	10,0	20,0	8,5	14,0	10,0	16,0	54,0	100		6,80
SKP-C/025-M08/X25		M8	7,0	10,0	20,0	8,5	14,0	10,0	25,0	63,0	100		8,30
SKP-C/035-M08/X16	35	M8	8,5	12,0	20,0	8,5	18,0	10,0	16,0	62,0	80	~2,9 kg.	12,00
SKP-C/035-M08/X25		M8	8,5	12,0	20,0	8,5	18,0	10,0	25,0	71,0	80		13,00
SKP-C/035-M08/X40		M8	8,5	12,0	20,0	8,5	18,0	10,0	40,0	86,0	70		14,25
SKP-C/035-M10/X25		M10	8,5	12,0	20,0	10,5	18,0	10,0	25,0	71,0	80		13,00
SKP-C/035-M10/X40		M10	8,5	12,0	20,0	10,5	18,0	10,0	40,0	86,0	70		14,25
SKP-C/050-M06/X25		50	M6	10,0	14,0	28,0	6,5	21,0	10,0	25,0	69,0		50
SKP-C/050-M06/X40	M6		10,0	14,0	28,0	6,5	21,0	10,0	40,0	84,0	50	22,00	
SKP-C/050-M08/X25	M8		10,0	14,0	28,0	8,5	21,0	10,0	25,0	69,0	50	20,50	
SKP-C/050-M08/X40	M8		10,0	14,0	28,0	8,5	21,0	10,0	40,0	84,0	50	22,00	
SKP-C/050-M10/X25	M10		10,0	14,0	28,0	10,5	21,0	16,0	25,0	75,0	50	20,50	
SKP-C/050-M10/X40	M10		10,0	14,0	28,0	10,5	21,0	16,0	40,0	90,0	50	22,00	
SKP-C/050-M12/X25	M12		10,0	14,0	28,0	13,0	23,0	16,0	25,0	75,0	50	20,50	
SKP-C/050-M12/X40	M12		10,0	14,0	28,0	13,0	23,0	16,0	40,0	90,0	50	22,00	
SKP-C/070-M08/X25	70	M8	12,0	16,5	28,0	8,5	23,0	10,0	25,0	76,0	40	~3,2 kg.	25,00
SKP-C/070-M08/X40		M8	12,0	16,5	28,0	8,5	23,0	10,0	40,0	91,0	40		26,50
SKP-C/070-M10/X25		M10	12,0	16,5	28,0	10,5	23,0	16,0	25,0	82,0	40		25,00
SKP-C/070-M10/X40		M10	12,0	16,5	28,0	10,5	23,0	16,0	40,0	97,0	40		26,50
SKP-C/070-M12/X25		M12	12,0	16,5	28,0	13,0	23,0	16,0	25,0	76,0	40		25,00
SKP-C/070-M12/X40		M12	12,0	16,5	28,0	13,0	23,0	16,0	40,0	91,0	40		26,50
SKP-C/070-M12/X45		M12	12,0	16,5	28,0	13,0	23,0	16,0	45,0	96,0	40		27,00
SKP-C/070-M12/X60		M12	12,0	16,5	28,0	13,0	23,0	16,0	60,0	111,0	40		29,00
SKP-C/095-M10/X25	95	M10	13,5	18,0	35,0	10,5	26,0	16,0	25,0	87,0	25	~2,4 kg.	26,50
SKP-C/095-M10/X40		M10	13,5	18,0	35,0	10,5	26,0	16,0	40,0	102,0	25		29,50
SKP-C/095-M12/X25		M12	13,5	18,0	35,0	13,0	26,0	16,0	25,0	87,0	25		26,50
SKP-C/095-M12/X40		M12	13,5	18,0	35,0	13,0	26,0	16,0	40,0	102,0	25		29,50
SKP-C/095-M12/X45		M12	13,5	18,0	35,0	13,0	26,0	16,0	45,0	107,0	25		29,50
SKP-C/095-M12/X60		M12	13,5	18,0	35,0	13,0	26,0	16,0	60,0	122,0	25		30,00
SKP-C/120-M12/X25	120	M12	15,0	19,5	35,0	13,0	28,0	16,0	25,0	87,0	25	~2,6 kg.	27,00
SKP-C/120-M12/X40		M12	15,0	19,5	35,0	13,0	28,0	16,0	40,0	102,0	25	~3,1 kg.	29,00
SKP-C/120-M12/X45		M12	15,0	19,5	35,0	13,0	28,0	16,0	45,0	107,0	25	30,00	
SKP-C/120-M12/X60		M12	15,0	19,5	35,0	13,0	28,0	16,0	60,0	122,0	25	33,00	
SKP-C/120-M16/X40		M16	15,0	19,5	35,0	17,0	28,0	19,0	40,0	105,0	25	29,00	
SKP-C/120-M16/X50		M16	15,0	19,5	35,0	17,0	28,0	19,0	50,0	115,0	25	31,50	
SKP-C/150-M12/X25	150	M12	16,5	21,0	35,0	13,0	31,0	16,0	25,0	90,0	20	~2,3 kg.	29,50
SKP-C/150-M12/X40		M12	16,5	21,0	35,0	13,0	31,0	16,0	40,0	105,0	20	32,00	
SKP-C/150-M12/X45		M12	16,5	21,0	35,0	13,0	31,0	16,0	45,0	110,0	20	32,50	
SKP-C/150-M12/X50		M12	16,5	21,0	35,0	13,0	31,0	16,0	50,0	115,0	20	~2,8 kg.	33,00
SKP-C/150-M12/X60		M12	16,5	21,0	35,0	13,0	31,0	16,0	60,0	125,0	20	36,50	
SKP-C/150-M16/X40		M16	16,5	21,0	35,0	17,0	31,0	19,0	40,0	108,0	20	32,00	
SKP-C/150-M16/X50		M16	16,5	21,0	35,0	17,0	31,0	19,0	50,0	118,0	20	33,00	

ÜRÜN KODU ORDER CODE	KABLO KESİTİ CABLE SECTION (mm)	CİVATA DELİĞİ BOLT	BOYUTLAR DIMENSIONS								KUTU ADEDİ BOX PCS.	KUTU AĞIRLIĞI BOX WEIGHT	BİRİM FİYATI UNIT PRICE TL
			d1	d4	a	d2	b	C1	X	L			
SKP-C/185-M12/X25	185	M12	19,0	24,0	40,0	13,0	35,0	16,0	25,0	96,0	12	~1,9 kg.	38,00
SKP-C/185-M12/X40		M12	19,0	24,0	40,0	13,0	35,0	16,0	40,0	111,0	12	~2,4 kg.	41,00
SKP-C/185-M12/X45		M12	19,0	24,0	40,0	13,0	35,0	16,0	45,0	116,0	12		43,00
SKP-C/185-M12/X50		M12	19,0	24,0	40,0	13,0	35,0	16,0	50,0	121,0	12		44,00
SKP-C/185-M12/X60		M12	19,0	24,0	40,0	13,0	35,0	16,0	60,0	131,0	12		47,50
SKP-C/185-M16/X40		M16	19,0	24,0	40,0	17,0	35,0	19,0	40,0	114,0	12		42,50
SKP-C/185-M16/X50		M16	19,0	24,0	40,0	17,0	35,0	19,0	50,0	124,0	12		46,00
SKP-C/240-M12/X25	240	M12	21,0	26,0	40,0	13,0	38,0	16,0	25,0	97,0	12	~2,1 kg.	54,00
SKP-C/240-M12/X40		M12	21,0	26,0	40,0	13,0	38,0	16,0	40,0	112,0	12		57,00
SKP-C/240-M12/X45		M12	21,0	26,0	40,0	13,0	38,0	16,0	45,0	117,0	12		58,00
SKP-C/240-M12/X50		M12	21,0	26,0	40,0	13,0	38,0	16,0	50,0	122,0	12		58,50
SKP-C/240-M12/X60		M12	21,0	26,0	40,0	13,0	38,0	16,0	60,0	132,0	12		59,25
SKP-C/240-M16/X40		M16	21,0	26,0	40,0	17,0	38,0	19,0	40,0	115,0	12		58,00
SKP-C/240-M16/X50		M16	21,0	26,0	40,0	17,0	38,0	19,0	50,0	125,0	12		58,50

TALEP EDİLMESİ DURUMUNDA 45 VE 90 DERECE ÜRETİMİMİZ BULUNMAKTADIR.
UPON REQUEST, IT IS AVAILABLE IN 45 & 95 DEGREES.



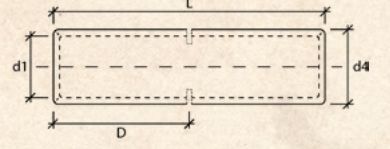
SKP-C ÖZELLİKLERİ

HAMMADDE	EN 13600 BAKIR BORU
METERIAL	ELECTROLYTIC COPPER CONFORMED TO EN 13600
KAPLAMA	KALAY
COATING	TIN PLATED
BAĞLANTI	SIKMA
JOINT	CLAMP COUPLING
BORU ET KALINLIĞI	ÇOK KALIN
THICKNESS	VERY THICK
KABLO GİRİŞİ	UZUN
CABLE ENTRY	LONG



SEM-A

STANDART TİP SIKMALI EK MUFLARI
STANDARD TYPE BUTT CONNECTORS



5846 sayılı yasa gereği fotoğrafların izinsiz yayınlanması ve kullanılması kesinlikle yasaktır.

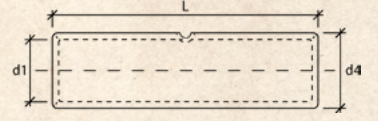
ÜRÜN KODU ORDER CODE	KABLO KESİTİ CABLE SECTION(mm)	BOYUTLAR DIMENSIONS				KUTU ADEDİ BOX PCS.	KUTU AĞIRLIĞI BOX WEIGHT	KOLİ ADEDİ PARCEL PCS.	KOLİ AĞIRLIĞI BOX WEIGHT	BİRİM FİYATI UNIT PRICE TL
		d1	d4	L	D					
SEM-A/006	6	4,0	5,5	25,0	12,5	800	~2,1 kg.	6.400	~16,8 kg.	1,10
SEM-A/010	10	4,5	6,0	30,0	15,0	600	~2,1 kg.	4.800	~16,8 kg.	1,20
SEM-A/016	16	5,5	7,5	35,0	17,5	300	~2,0 kg.	2.400	~16,0 kg.	1,75
SEM-A/025	25	7,0	9,5	40,0	20,0	200	~2,4 kg.	1.600	~19,2 kg.	3,10
SEM-A/035	35	8,5	11,0	45,0	22,5	150	~2,2 kg.	1.200	~17,6 kg.	4,25
SEM-A/050	50	10,0	13,0	50,0	25,0	125	~3,0 kg.	1.000	~24,0 kg.	7,25
SEM-A/070	70	11,5	14,5	55,0	27,5	80	~2,4 kg.	640	~19,2 kg.	9,75
SEM-A/095	95	13,5	16,5	60,0	30,0	60	~2,3 kg.	480	~18,4 kg.	10,15
SEM-A/120	120	14,5	18,0	65,0	32,5	40	~2,1 kg.	320	~16,8 kg.	13,90
SEM-A/150	150	16,5	21,0	70,0	35,0	30	~2,6 kg.	240	~20,8 kg.	21,35
SEM-A/185	185	18,5	23,0	75,0	37,5	20	~2,0 kg.	160	~16,0 kg.	26,00
SEM-A/240	240	21,0	26,0	85,0	42,5	15	~2,1 kg.	120	~16,8 kg.	35,50
SEM-A/300	300	23,5	28,5	100,0	50,0	10	~1,9 kg.	80	~15,2 kg.	39,50
SEM-A/400	400	27,0	33,0	110,0	55,0	6	~1,5 kg.	48	~12,0 kg.	67,25
SEM-A/500	500	30,0	38,0	120,0	60,0	4	~1,7 kg.	32	~13,6 kg.	108,50
SEM-A/625	625	34,0	42,0	130,0	65,0	3	~1,7 kg.	24	~13,6 kg.	166,50

SEM-A ÖZELLİKLERİ

HAMMADDE / MATERIAL	EN 13600 BAKIR BORU / ELECTROLYTIC COPPER CONFORMED TO EN 13600
KAPLAMA / COATING	KALAY / TIN PLATED
BAĞLANTI / JOINT	SIKMA / LEHİM / CLAMP COUPLING
BORU ET KALINLIĞI / THICKNESS	KALIN / THICK



SEM-D



DIN 46267-1 TİP SIKMALI EK MUFLARI DIN 46267-1 TYPE BUTT CONNECTORS

5846 sayılı yasa gereği fotoğrafların izinsiz yayınlanması ve kullanılması kesinlikle yasaktır.

ÜRÜN KODU ORDER CODE	KABLO KESİTİ CABLE SECTION (mm)	BOYUTLAR DIMENSIONS			KUTU ADEDİ BOX PCS.	KUTU AĞIRLIĞI BOX WEIGHT	KOLİ ADEDİ PARCEL PCS.	KOLİ AĞIRLIĞI BOX WEIGHT	BİRİM FIYATI UNIT PRICE TL
		d1	d4	L					
SEM-D/006	6	3,8	5,5	30,0	700	~2,4 kg.	4200	~14,4 kg.	1,15
SEM-D/010	10	4,5	6,0	30,0	600	~1,9 kg.	3600	~11,4 kg.	1,20
SEM-D/016	16	5,5	8,5	50,0	200	~2,9 kg.	1200	~17,4 kg.	3,40
SEM-D/025	25	7,0	10,0	50,0	150	~2,7 kg.	900	~16,2 kg.	4,20
SEM-D/035	35	8,2	12,5	50,0	100	~3,1 kg.	600	~18,6 kg.	7,55
SEM-D/050	50	10,0	14,5	56,0	80	~3,4 kg.	480	~20,4 kg.	11,00
SEM-D/070	70	11,5	16,5	56,0	50	~2,7 kg.	300	~16,2 kg.	12,85
SEM-D/095	95	13,5	19,0	70,0	35	~3,1 kg.	210	~18,6 kg.	19,00
SEM-D/120	120	15,5	21,0	70,0	25	~2,4 kg.	150	~14,4 kg.	21,30
SEM-D/150	150	17,0	23,5	80,0	20	~2,9 kg.	120	~17,4 kg.	31,65
SEM-D/185	185	19,0	25,5	85,0	12	~2,1 kg.	72	~12,6 kg.	35,50
SEM-D/240	240	21,5	29,0	90,0	10	~2,4 kg.	60	~14,4 kg.	51,50
SEM-D/300	300	24,5	32,0	100,0	8	~2,4 kg.	48	~14,4 kg.	67,80
SEM-D/400	400	27,5	38,5	150,0	4	~3,0 kg.	24	~18,0 kg.	160,00
SEM-D/500	500	31,0	42,0	160,0	3	~2,7 kg.	18	~16,1 kg.	193,00
SEM-D/625	625	34,5	44,0	160,0	3	~2,4 kg.	18	~14,2 kg.	212,00
SEM-D/800	800	40,0	52,0	200,0	1	~1,5 kg.	6		
SEM-D/1000	1000	44,0	58,0	200,0	1	~2,0 kg.	6		

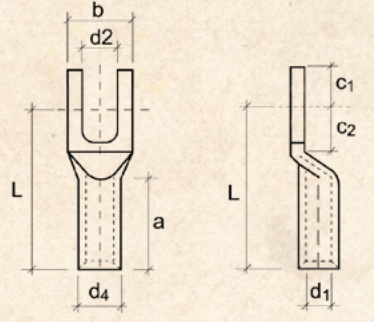
SEM-D ÖZELLİKLERİ

HAMMADDE / MATERIAL	EN 13600 BAKIR BORU / ELECTROLYTIC COPPER CONFORMED TO EN 13600
KAPLAMA / COATING	KALAY / TIN PLATED
BAĞLANTI / JOINT	SIKMA / LEHİM / CLAMP COUPLING
DIN NORMU 46267'YE UYGUNDUR CONFORMED TO DIN 46267-1	



SKP-F

ÇATAL TİP SIKMALI KABLO PABUCU FORK TYPE CABLE LUGS



5846 sayılı yasa gereği fotoğrafların izinsiz yayınlanması ve kullanılması kesinlikle yasaktır.

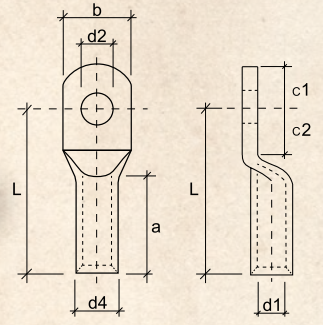
ÜRÜN KODU ORDER CODE	KABLO KESİTİ CABLE SECTION (mm)	CİVAĞA DELİĞİ BOLT	BOYUTLAR DIMENSIONS								KUTU ADEDİ BOX PCS.	KUTU AĞIRLIĞI BOX WEIGHT	KOLİ ADEDİ PARCEL PCS.	KOLİ AĞIRLIĞI BOX WEIGHT	BİRİM FİYATI UNIT PRICE TL
			d1	d4	a	d2	b	c1	c2	L					
SKP-F/006-M04	6	M4	4,0	5,5	9,5	4,3	9,0	6,5	6,5	19,0	1000	~2,3 kg.	8000	~18,4 kg.	1,45
SKP-F/006-M05		M5	4,0	5,5	9,5	5,3	9,0	6,5	6,5	19,0	1000	~2,2 kg.	8000	~18,4 kg.	1,45
SKP-F/006-M06		M6	4,0	6,0	6,0	6,4	10,5	7,0	7,0	21,0	700	~2,4 kg.	5600	~19,2 kg.	1,90
SKP-F/006-M08		M8	4,0	6,0	6,0	8,4	13,0	8,0	8,0	22,5	600	~2,2 kg.	4800	~17,6 kg.	2,15
SKP-F/010-M05	10	M5	4,5	7,0	10,0	5,3	12,0	6,5	7,5	22,0	500	~2,1 kg.	4000	~16,8 kg.	2,15
SKP-F/010-M06		M6	4,5	7,0	10,0	6,4	12,0	6,5	7,5	22,0	500	~2,1 kg.	4000	~16,8 kg.	2,15
SKP-F/010-M08		M8	4,5	7,5	10,0	8,4	15,0	10,0	10,0	25,0	400	~2,4 kg.	3200	~19,2 kg.	2,60
SKP-F/016-M05	16	M5	5,5	8,5	13,0	5,4	12,0	5,5	6,5	26,0	400	~2,2 kg.	2400	~13,2 kg.	3,60
SKP-F/016-M06		M6	5,5	8,5	13,0	6,4	12,0	6,2	7,5	27,0	400	~3,4 kg.	2400	~20,4 kg.	3,60
SKP-F/016-M08		M8	5,5	8,5	13,0	8,4	15,0	8,5	9,5	29,0	300	~2,8 kg.	1800	~16,8 kg.	3,60

SKP-F ÖZELLİKLERİ

HAMMADDE	EN 13600 BAKIR BORU
MATERİAL	ELECTROLYTIC COPPER CONFORMED TO EN 13600
KAPLAMA	KALAY
COATING	TIN PLATED
BAĞLANTI	SIKMA
JOINT	CLAMP COUPLING
KABLO GİRİŞİ	NORMAL
CABLE ENTRY	STANDARD



AKP-D



ALÜMİNYUM KABLO PABUCU DIN 46329
DIN 46329 TYPE ALUMINIUM CABLE LUGS

5846 sayılı yasa gereği fotoğrafların izinsiz yayınlanması ve kullanılması kesinlikle yasaktır.

ÜRÜN KODU ORDER CODE	KABLO KESİTİ CABLE SECTION (mm)	CİVATA DELİĞİ BOLT	BOYUTLAR DIMENSIONS									KUTU ADEDİ BOX PCS.	KUTU AĞIRLIĞI BOX WEIGHT	KOLİ ADEDİ PARCEL PCS.	KOLİ AĞIRLIĞI BOX WEIGHT	BİRİM FİYATI UNITPRICE TL
			d1	d4	a	d2	b	c1	c2	L	L+c1					
AKP-D/016-M08/SD	16	M8	5,8	12,0	34,0	8,5	18,0	10,0	11,5	52,0	62,0	100	~1,3 kg.	1.000	~13,0 kg.	1,80
AKP-D/016-M10		M10	5,8	12,0	34,0	10,5	18,0	10,0	11,5	52,0	62,0	100	~1,3 kg.	1.000	~13,0 kg.	1,80
AKP-D/025-M08/SD	25	M8	6,8	12,0	40,0	8,5	18,0	10,0	11,5	60,0	70,0	80	~1,1 kg.	800	~11,0 kg.	2,20
AKP-D/025-M10		M10	6,8	12,0	40,0	10,5	19,0	12,0	12,0	60,0	72,0	80	~1,1 kg.	800	~11,0 kg.	2,20
AKP-D/025-M12		M12	6,8	12,0	40,0	13,0	21,0	13,0	13,0	60,0	73,0	80	~1,1 kg.	800	~11,0 kg.	2,20
AKP-D/035-M08	35	M8	8,0	14,0	43,0	8,5	21,0	11,5	14,0	67,0	78,5	60	~1,3 kg.	600	~13,0 kg.	3,00
AKP-D/035-M10/SD		M10	8,0	14,0	43,0	10,5	21,0	11,5	14,0	67,0	78,5	60	~1,3 kg.	600	~13,0 kg.	2,75
AKP-D/035-M12		M12	8,0	14,0	43,0	13,0	21,0	11,5	14,0	67,0	78,5	60	~1,2 kg.	600	~12,0 kg.	2,75
AKP-D/035-M14		M14	8,0	14,0	43,0	15,0	21,0	12,0	16,0	69,0	81,0	60	~1,3 kg.	600	~13,0 kg.	3,75
AKP-D/050-M10/SD	50	M10	9,8	16,0	46,0	10,5	25,0	14,0	15,0	72,0	86,0	40	~1,1 kg.	400	~11,0 kg.	3,85
AKP-D/050-M12		M12	9,8	16,0	46,0	13,0	25,0	14,0	15,0	72,0	86,0	40	~1,1 kg.	400	~11,0 kg.	3,85
AKP-D/070-M10/SD	70	M10	11,2	18,5	54,0	10,5	28,0	15,0	17,5	86,0	101,0	25	~1,4 kg.	250	~14,0 kg.	6,00
AKP-D/070-M12		M12	11,2	18,5	54,0	13,0	28,0	15,0	17,5	86,0	101,0	25	~1,1 kg.	250	~11,0 kg.	6,00
AKP-D/095-M10	95	M10	13,2	22,0	59,0	10,5	32,0	15,5	17,5	90,0	105,5	15	~1,0 kg.	150	~10,0 kg.	8,50
AKP-D/095-M12/SD		M12	13,2	22,0	59,0	13,0	32,0	15,5	17,5	90,0	105,5	15	~1,0 kg.	150	~10,0 kg.	8,50
AKP-D/095-M16		M16	13,2	22,0	59,0	17,0	34,0	15,5	17,5	90,0	105,5	15	~1,0 kg.	150	~10,0 kg.	8,50
AKP-D/120-M12/SD	120	M12	14,7	23,0	59,0	13,0	32,0	16,0	17,5	91,0	107,0	15	~1,0 kg.	150	~10,0 kg.	9,90
AKP-D/120-M16		M16	14,7	23,0	59,0	17,0	34,0	16,0	17,5	91,0	107,0	15	~1,3 kg.	150	~13,0 kg.	9,90
AKP-D/150-M12/SD	150	M12	16,3	25,0	62,0	13,0	35,0	17,5	20,0	103,0	120,5	12	~1,1 kg.	120	~11,0 kg.	13,25
AKP-D/150-M16		M16	16,3	25,0	62,0	17,0	35,0	17,5	20,0	103,0	120,5	12	~1,1 kg.	120	~11,0 kg.	13,25
AKP-D/150-M20		M20	16,3	25,0	62,0	21,0	41,0	17,5	20,0	103,0	120,5	12	~1,1 kg.	120	~11,0 kg.	13,25
AKP-D/185-M12	185	M12	18,3	28,5	63,0	13,0	40,0	19,0	20,0	106,0	125,0	8	~1,0 kg.	80	~10,0 kg.	18,25
AKP-D/185-M16/SD		M16	18,3	28,5	63,0	17,0	40,0	19,0	20,0	106,0	125,0	8	~1,0 kg.	80	~10,0 kg.	18,25
AKP-D/185-M20		M20	18,3	28,5	63,0	21,0	40,0	19,0	20,0	106,0	125,0	8	~1,1 kg.	80	~11,0 kg.	18,25
AKP-D/240-M12	240	M12	21,0	32,0	72,0	13,0	45,0	23,0	24,0	116,0	139,0	8	~1,4 kg.	80	~14,0 kg.	22,00
AKP-D/240-M16/SD		M16	21,0	32,0	72,0	17,0	45,0	23,0	24,0	116,0	139,0	8	~1,4 kg.	80	~14,0 kg.	22,00
AKP-D/240-M20		M20	21,0	32,0	72,0	21,0	45,0	23,0	24,0	116,0	139,0	8	~1,4 kg.	80	~14,0 kg.	22,00
AKP-D/300-M16/SD	300	M16	23,3	34,0	74,0	17,0	49,0	24,0	25,0	124,0	148,0	5	~1,0 kg.	50	~10,0 kg.	30,50
AKP-D/300-M20		M20	23,3	34,0	74,0	21,0	49,0	24,0	25,0	124,0	148,0	5	~1,0 kg.	50	~10,0 kg.	30,50
AKP-D/400-M16/SD	400	M16	26,0	38,5	105,0	17,0	58,0	30,0	32,0	166,0	196,0	10	~3,3 kg.	20	~33,0 kg.	57,50
AKP-D/400-M20		M20	26,0	38,5	105,0	21,0	58,0	30,0	32,0	166,0	196,0	10	~3,3 kg.	20	~33,0 kg.	57,50

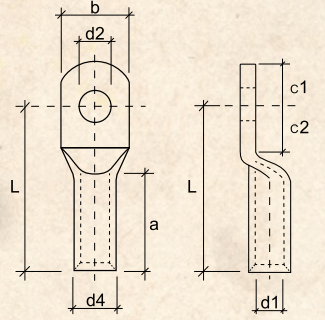
AKP-D ÖZELLİKLERİ

HAMMADE MATERIAL	ELEKTROLİTİK ALÜMİNYUM ELECTROLYTIC ALUMINIUM
KAPLAMA COATING	DOĞAL PARLAK NATURAL BRIGHT
BAĞLANTI JOINT	SIKMA CLAMP COUPLING
DIN NORMU 46329 BORU ÖLÇÜSÜNE UYGUNDUR CONFORMED TO DIN 46329 TUBE DIMENSIONS	

BU TABLODA KOYU YAZI KARAKTERİ İLE BELİRTİLMİŞ OLAN KABLO PABUÇLARI STANDART ÜRETİMİMİZDİR.
THE CABLE LUGS WHICH ARE INDICATED IN BOLD FONT, ARE STANDART PRODUCTS OF **Simpa**



AKP-DY



ALÜMİNYUM KABLO PABUCU
OKSİT KORUMA YAĞLI DIN 46329
ALUMINIUM CABLE LUGS
WITH OXIDE PROTECTION OIL DIN 46329

5846 sayılı yasa gereği fotoğrafların izinsiz yayınlanması ve kullanılması kesinlikle yasaktır.

ÜRÜN KODU ORDER CODE	KABLO KESİTİ CABLE SECTION (mm)	CİVATA DELİĞİ BOLT	BOYUTLAR DIMENSIONS									KUTU ADEDİ BOX PCS.	KUTU AĞIRLIĞI BOX WEIGHT	KOLİ ADEDİ PARCEL PCS.	KOLİ AĞIRLIĞI BOX WEIGHT	BİRİM FİYATI UNITPRICE TL
			d1	d4	a	d2	b	c1	c2	L	L+c1					
AKP-DY/016-M08/SD	16	M8	5,8	12,0	34,0	8,5	18,0	10,0	11,5	52,0	62,0	100	~1,3 kg.	1.000	~13,0 kg.	2,30
AKP-DY/016-M10		M10	5,8	12,0	34,0	10,5	18,0	10,0	11,5	52,0	62,0	100	~1,3 kg.	1.000	~13,0 kg.	2,30
AKP-DY/025-M08/SD	25	M8	6,8	12,0	40,0	8,5	18,0	10,0	11,5	60,0	70,0	80	~1,1 kg.	800	~11,0 kg.	2,65
AKP-DY/025-M10		M10	6,8	12,0	40,0	10,5	19,0	12,0	12,0	60,0	72,0	80	~1,1 kg.	800	~11,0 kg.	2,65
AKP-DY/025-M12		M12	6,8	12,0	40,0	13,0	21,0	13,0	13,0	60,0	73,0	80	~1,1 kg.	800	~11,0 kg.	2,65
AKP-DY/035-M08	35	M8	8,0	14,0	43,0	8,5	21,0	11,5	14,0	67,0	78,5	60	~1,3 kg.	600	~13,0 kg.	3,25
AKP-DY/035-M10/SD		M10	8,0	14,0	43,0	10,5	21,0	11,5	14,0	67,0	78,5	60	~1,3 kg.	600	~13,0 kg.	3,25
AKP-DY/035-M12		M12	8,0	14,0	43,0	13,0	21,0	11,5	14,0	67,0	78,5	60	~1,3 kg.	600	~13,0 kg.	3,25
AKP-DY/050-M10/SD	50	M10	9,8	16,0	46,0	10,5	25,0	14,0	15,0	72,0	86,0	40	~1,4 kg.	400	~14,0 kg.	4,50
AKP-DY/050-M12		M12	9,8	16,0	46,0	13,0	25,0	14,0	15,0	72,0	86,0	40	~1,4 kg.	400	~14,0 kg.	4,50
AKP-DY/070-M10/SD	70	M10	11,2	18,5	54,0	10,5	28,0	15,0	17,5	86,0	101,0	25	~1,4 kg.	250	~14,0 kg.	6,85
AKP-DY/070-M12		M12	11,2	18,5	54,0	13,0	28,0	15,0	17,5	86,0	101,0	25	~1,4 kg.	250	~14,0 kg.	6,85
AKP-DY/095-M10	95	M10	13,2	22,0	59,0	10,5	32,0	15,5	17,5	90,0	105,5	15	~1,0 kg.	150	~10,0 kg.	9,40
AKP-DY/095-M12/SD		M12	13,2	22,0	59,0	13,0	32,0	15,5	17,5	90,0	105,5	15	~1,0 kg.	150	~10,0 kg.	9,40
AKP-DY/095-M16		M16	13,2	22,0	59,0	17,0	34,0	15,5	17,5	90,0	105,5	15	~1,0 kg.	150	~10,0 kg.	9,40
AKP-DY/120-M12/SD	120	M12	14,7	23,0	59,0	13,0	32,0	16,0	17,5	91,0	107,0	15	~0,9 kg.	150	~9,0 kg.	10,90
AKP-DY/120-M16		M16	14,7	23,0	59,0	17,0	34,0	16,0	17,5	91,0	107,0	15	~0,9 kg.	150	~9,0 kg.	10,90
AKP-DY/150-M12/SD	150	M12	16,3	25,0	62,0	13,0	35,0	17,5	20,0	103,0	120,5	12	~1,1 kg.	120	~11,0 kg.	14,45
AKP-DY/150-M16		M16	16,3	25,0	62,0	17,0	35,0	17,5	20,0	103,0	120,5	12	~1,1 kg.	120	~11,0 kg.	14,45
AKP-DY/150-M20		M20	16,3	25,0	62,0	21,0	41,0	17,5	20,0	103,0	120,5	12	~1,1 kg.	120	~11,0 kg.	14,45
AKP-DY/185-M12	185	M12	18,3	28,5	63,0	13,0	40,0	19,0	20,0	106,0	125,0	8	~1,1 kg.	80	~11,0 kg.	20,00
AKP-DY/185-M16/SD		M16	18,3	28,5	63,0	17,0	40,0	19,0	20,0	106,0	125,0	8	~1,1 kg.	80	~11,0 kg.	20,00
AKP-DY/185-M20		M20	18,3	28,5	63,0	21,0	40,0	19,0	20,0	106,0	125,0	8	~1,1 kg.	80	~11,0 kg.	20,00
AKP-DY/240-M12	240	M12	21,0	32,0	72,0	13,0	45,0	23,0	24,0	116,0	139,0	8	~1,4 kg.	80	~14,0 kg.	23,65
AKP-DY/240-M16/SD		M16	21,0	32,0	72,0	17,0	45,0	23,0	24,0	116,0	139,0	8	~1,4 kg.	80	~14,0 kg.	23,65
AKP-DY/240-M20		M20	21,0	32,0	72,0	21,0	45,0	23,0	24,0	116,0	139,0	8	~1,4 kg.	80	~14,0 kg.	23,65
AKP-DY/300-M16/SD	300	M16	23,3	34,0	74,0	17,0	49,0	24,0	25,0	124,0	148,0	5	~1,2 kg.	50	~12,0 kg.	34,60
AKP-DY/300-M20		M20	23,3	34,0	74,0	21,0	49,0	24,0	25,0	124,0	148,0	5	~1,2 kg.	50	~12,0 kg.	34,60
AKP-DY/400-M16/SD	400	M16	26,0	38,5	105,0	17,0	58,0	30,0	32,0	166,0	196,0	10	~3,3 kg.	20	~33,0 kg.	61,00
AKP-DY/400-M20		M20	26,0	38,5	105,0	21,0	58,0	30,0	32,0	166,0	196,0	10	~3,3 kg.	20	~33,0 kg.	61,00

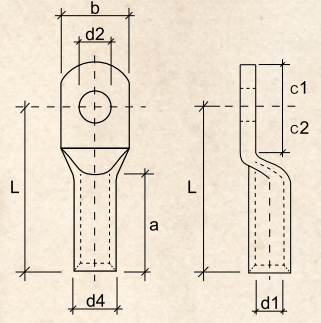
AKP-DY ÖZELLİKLERİ

HAMMADDE METERIAL	ELEKTROLİTİK ALÜMİNYUM ELECTROLYTIC ALUMINIUM
KAPLAMA COATING	DOĞAL PARLAK NATURAL BRIGHT
BAĞLANTI JOINT	SIKMA CLAMP COUPLING
DIN NORMU 46329 BORU ÖLÇÜSÜNE UYGUNDUR CONFORMED TO DIN 46329 TUBE DIMENSIONS	

BU TABLODA KOYU YAZI KARAKTERİ İLE BELİRTİLMİŞ OLAN KABLO PABUÇLARI STANDART ÜRETİMİZDİR.
THE CABLE LUGS WHICH ARE INDICATED IN BOLD FONT, ARE STANDART PRODUCTS OF **Simpa**



AKP-DK



5846 sayılı yasa gereği fotoğrafların izinsiz yayınlanması ve kullanılması kesinlikle yasaktır.

**ALÜMİNYUM KABLO PABUCU KALAY KAPLI
OKSİT KORUMA YAĞLI DIN 46329
ALUMINIUM CABLE LUGS TIN PLATED
WITH OXIDE PROTECTION OIL DIN 46329**

ÜRÜN KODU ORDER CODE	KABLO KESİTİ CABLE SECTION (mm)	CİVATA DELİĞİ BOLT	BOYUTLAR DIMENSIONS									KUTU ADEDİ BOX PCS.	KUTU AĞIRLIĞI BOX WEIGHT	KOLİ ADEDİ PARCEL PCS.	KOLİ AĞIRLIĞI BOX WEIGHT	BİRİM FİYATI UNITPRICE TL
			d1	d4	a	d2	b	c1	c2	L	L+c1					
AKP-DK/016-M08/SD	16	M8	5,8	12,0	34,0	8,5	18,0	10,0	11,5	52,0	62,0	100	~1,3 kg.	1.000	~13,0 kg.	
AKP-DK/016-M10		M10	5,8	12,0	34,0	10,5	18,0	10,0	11,5	52,0	62,0	100	~1,3 kg.	1.000	~13,0 kg.	
AKP-DK/025-M08/SD	25	M8	6,8	12,0	40,0	8,5	18,0	10,0	11,5	60,0	70,0	80	~1,1 kg.	800	~11,0 kg.	
AKP-DK/025-M10		M10	6,8	12,0	40,0	10,5	19,0	12,0	12,0	60,0	72,0	80	~1,1 kg.	800	~11,0 kg.	
AKP-DK/025-M12		M12	6,8	12,0	40,0	13,0	21,0	13,0	13,0	60,0	73,0	80	~1,1 kg.	800	~11,0 kg.	
AKP-DK/035-M08	35	M8	8,0	14,0	43,0	8,5	21,0	11,5	14,0	67,0	78,5	60	~1,3 kg.	600	~13,0 kg.	
AKP-DK/035-M10/SD		M10	8,0	14,0	43,0	10,5	21,0	11,5	14,0	67,0	78,5	60	~1,3 kg.	600	~13,0 kg.	
AKP-DK/035-M12		M12	8,0	14,0	43,0	13,0	21,0	11,5	14,0	67,0	78,5	60	~1,3 kg.	600	~13,0 kg.	
AKP-DK/050-M10/SD	50	M10	9,8	16,0	46,0	10,5	25,0	14,0	15,0	72,0	86,0	40	~1,4 kg.	400	~14,0 kg.	☎
AKP-DK/050-M12		M12	9,8	16,0	46,0	13,0	25,0	14,0	15,0	72,0	86,0	40	~1,4 kg.	400	~14,0 kg.	
AKP-DK/070-M10/SD	70	M10	11,2	18,5	54,0	10,5	28,0	15,0	17,5	86,0	101,0	25	~1,4 kg.	250	~14,0 kg.	
AKP-DK/070-M12		M12	11,2	18,5	54,0	13,0	28,0	15,0	17,5	86,0	101,0	25	~1,4 kg.	250	~14,0 kg.	
AKP-DK/095-M10	95	M10	13,2	22,0	59,0	10,5	32,0	15,5	17,5	90,0	105,5	15	~1,0 kg.	150	~10,0 kg.	
AKP-DK/095-M12/SD		M12	13,2	22,0	59,0	13,0	32,0	15,5	17,5	90,0	105,5	15	~1,0 kg.	150	~10,0 kg.	
AKP-DK/095-M16		M16	13,2	22,0	59,0	17,0	34,0	15,5	17,5	90,0	105,5	15	~1,0 kg.	150	~10,0 kg.	
AKP-DK/120-M12/SD	120	M12	14,7	23,0	59,0	13,0	32,0	16,0	17,5	91,0	107,0	15	~0,9 kg.	150	~9,0 kg.	
AKP-DK/120-M16		M16	14,7	23,0	59,0	17,0	34,0	16,0	17,5	91,0	107,0	15	~0,9 kg.	150	~9,0 kg.	
AKP-DK/150-M12/SD	150	M12	16,3	25,0	62,0	13,0	35,0	17,5	20,0	103,0	120,5	12	~1,1 kg.	120	~11,0 kg.	
AKP-DK/150-M16		M16	16,3	25,0	62,0	17,0	35,0	17,5	20,0	103,0	120,5	12	~1,1 kg.	120	~11,0 kg.	
AKP-DK/150-M20		M20	16,3	25,0	62,0	21,0	41,0	17,5	20,0	103,0	120,5	12	~1,1 kg.	120	~11,0 kg.	
AKP-DK/185-M12	185	M12	18,3	28,5	63,0	13,0	40,0	19,0	20,0	106,0	125,0	8	~1,1 kg.	80	~11,0 kg.	
AKP-DK/185-M16/SD		M16	18,3	28,5	63,0	17,0	40,0	19,0	20,0	106,0	125,0	8	~1,1 kg.	80	~11,0 kg.	
AKP-DK/185-M20		M20	18,3	28,5	63,0	21,0	40,0	19,0	20,0	106,0	125,0	8	~1,1 kg.	80	~11,0 kg.	☎
AKP-DK/240-M12	240	M12	21,0	32,0	72,0	13,0	45,0	23,0	24,0	116,0	139,0	8	~1,4 kg.	80	~14,0 kg.	
AKP-DK/240-M16/SD		M16	21,0	32,0	72,0	17,0	45,0	23,0	24,0	116,0	139,0	8	~1,4 kg.	80	~14,0 kg.	
AKP-DK/240-M20		M20	21,0	32,0	72,0	21,0	45,0	23,0	24,0	116,0	139,0	8	~1,4 kg.	80	~14,0 kg.	
AKP-DK/300-M16/SD	300	M16	23,3	34,0	74,0	17,0	49,0	24,0	25,0	124,0	148,0	5	~1,2 kg.	50	~12,0 kg.	
AKP-DK/300-M20		M20	23,3	34,0	74,0	21,0	49,0	24,0	25,0	124,0	148,0	5	~1,2 kg.	50	~12,0 kg.	
AKP-DK/400-M16/SD	400	M16	26,0	38,5	105,0	17,0	58,0	30,0	32,0	166,0	196,0	10	~3,3 kg.	20	~33,0 kg.	
AKP-DK/400-M20		M20	26,0	38,5	105,0	21,0	58,0	30,0	32,0	166,0	196,0	10	~3,3 kg.	20	~33,0 kg.	

FİYAT BİLGİSİ İÇİN LÜTFEN İRTİBATA GEÇİNİZ

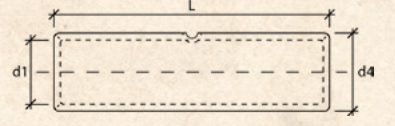
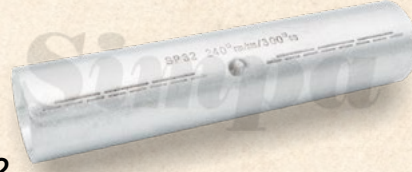
AKP-DK ÖZELLİKLERİ

HAMMADDE MATERIAL	ELEKTROLİTİK ALÜMİNYUM ELECTROLYTIC ALUMINIUM
KAPLAMA COATING	DOĞAL PARLAK NATURAL BRIGHT
BAĞLANTI JOINT	SIKMA CLAMP COUPLING
DIN NORMU 46329 BORU ÖLÇÜSÜNE UYGUNDUR CONFORMED TO DIN 46329 TUBE DIMENSIONS	

BU TABLODA KOYU YAZI KARAKTERİ İLE BELİRTİLMİŞ OLAN KABLO PABUÇLARI STANDART ÜRETİMİMİZDİR.
THE CABLE LUGS WHICH ARE INDICATED IN BOLD FONT, ARE STANDART PRODUCTS OF **Simpa**



AEM-D



ALÜMİNYUM SIKMALI EK MUFLARI DIN 46267-2 DIN 46267-2 TYPE ALUMINIUM BUTT CONNECTORS

5846 sayılı yasa gereği fotoğrafların izinsiz yayınlanması ve kullanılması kesinlikle yasaktır.

ÜRÜN KODU ORDER CODE	KABLO KESİTİ CABLE SECTION(mm)	BOYUTLAR DIMENSIONS			KUTU ADEĐİ BOX PCS.	KUTU AĞIRLIĐI BOX WEIGHT	KOLİ ADEĐİ PARCEL PCS.	KOLİ AĞIRLIĐI BOX WEIGHT	BİRİM FİYATI UNIT PRICE TL
		d1	d4	L					
AEM-D/010	10	5,0	10,0	55,0	150	~1,5 kg.	1.500	~15,0 kg.	1,60
AEM-D/016	16	5,8	12,0	55,0	110	~1,5 kg.	1.100	~15,0 kg.	1,70
AEM-D/025	25	6,8	12,0	70,0	100	~1,5 kg.	1.000	~15,0 kg.	2,00
AEM-D/035	35	8,0	14,0	85,0	60	~1,4 kg.	600	~14,0 kg.	2,75
AEM-D/050	50	9,8	16,0	85,0	45	~1,3 kg.	450	~13,0 kg.	3,60
AEM-D/070	70	11,2	18,5	105,0	20	~1,0 kg.	200	~10,0 kg.	5,40
AEM-D/095	95	13,2	22,0	105,0	12	~0,9 kg.	120	~9,0 kg.	7,65
AEM-D/120	120	14,7	23,0	105,0	12	~0,9 kg.	120	~9,0 kg.	8,90
AEM-D/150	150	16,3	25,0	125,0	10	~1,0 kg.	100	~10,0 kg.	11,90
AEM-D/185	185	18,3	28,5	125,0	8	~1,1 kg.	80	~11,0 kg.	16,40
AEM-D/240	240	21,0	32,0	145,0	6	~1,1 kg.	60	~11,0 kg.	20,00
AEM-D/300	300	23,3	34,0	145,0	6	~1,2 kg.	60	~12,0 kg.	30,50
AEM-D/400	400	26,0	38,5	210,0	10	~3,5 kg.	20	~35,0 kg.	49,00

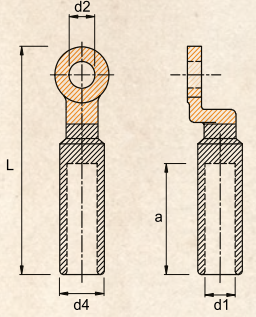
AEM-D ÖZELLİKLERİ

HAMMADDE MATERIAL	ELEKTROLİTİK ALÜMİNYUM ELECTROLYTIC ALUMINIUM
KAPLAMA COATING	DOĐAL PARLAK NATURAL BRIGHT
BAĐLANTI JOINT	SIKMA CLAMP COUPLING
DIN NORMU 46267-2'YE UYGUNDUR CONFORMED TO DIN 46267-2	



BKP-D

BİMETAL KABLO PABUÇLARI (AL-CU) BIMETALLIC CABLE LUGS (AL-CU)



5846 sayılı yasa gereği fotoğrafların izinsiz yayınlanması ve kullanılması kesinlikle yasaktır.

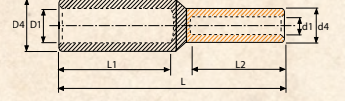
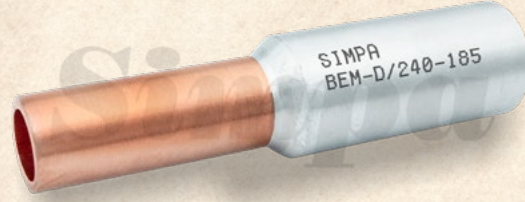
ÜRÜN KODU ORDER CODE	KABLO KESİTİ CABLE SECTION (mm)	CİVAHA DELİĞİ BOLT	BOYUTLAR DIMENSIONS					KUTU ADEĐİ BOX PCS.	KUTU AĞIRLIĞI BOX WEIGHT	KOLİ ADEĐİ PARCEL PCS.	KOLİ AĞIRLIĞI BOX WEIGHT	BİRİM FİYATI UNITPRICE TL
			d1	d4	a	d2	L					
BKP-D/016-M08	16	M08	6,0	16,0	42,0	8,5	90,0	40	~2,1 kg.	400	~21,0 kg.	17,80
BKP-D/016-M10		M10	6,0	16,0	42,0	10,5	90,0	40	~2,1 kg.	400	~21,0 kg.	17,80
BKP-D/016-M12/SD		M12	6,0	16,0	42,0	13,0	90,0	40	~2,1 kg.	400	~21,0 kg.	16,50
BKP-D/025-M08	25	M08	7,0	16,0	42,0	8,5	90,0	40	~2,0 kg.	400	~20,0 kg.	17,80
BKP-D/025-M10		M10	7,0	16,0	42,0	10,5	90,0	40	~2,0 kg.	400	~20,0 kg.	17,80
BKP-D/025-M12/SD		M12	7,0	16,0	42,0	13,0	90,0	40	~2,0 kg.	400	~20,0 kg.	16,50
BKP-D/035-M08	35	M08	8,5	16,0	42,0	8,5	90,0	40	~2,0 kg.	400	~20,0 kg.	18,50
BKP-D/035-M10		M10	8,5	16,0	42,0	10,5	90,0	40	~2,0 kg.	400	~20,0 kg.	18,50
BKP-D/035-M12/SD		M12	8,5	16,0	42,0	13,0	90,0	40	~2,0 kg.	400	~20,0 kg.	17,00
BKP-D/050-M08	50	M08	9,6	20,0	43,0	8,5	90,0	30	~2,0 kg.	300	~20,0 kg.	23,00
BKP-D/050-M10		M10	9,6	20,0	43,0	10,5	90,0	30	~2,0 kg.	300	~20,0 kg.	23,00
BKP-D/050-M12/SD		M12	9,6	20,0	43,0	13,0	90,0	30	~2,0 kg.	300	~20,0 kg.	21,00
BKP-D/070-M08	70	M08	11,5	20,0	43,0	8,5	90,0	30	~2,0 kg.	300	~20,0 kg.	23,00
BKP-D/070-M10		M10	11,5	20,0	43,0	10,5	90,0	30	~2,0 kg.	300	~20,0 kg.	23,00
BKP-D/070-M12/SD		M12	11,5	20,0	43,0	13,0	90,0	30	~2,0 kg.	300	~20,0 kg.	21,00
BKP-D/095-M08	95	M08	13,5	20,0	43,0	8,5	90,0	30	~1,8 kg.	300	~18,0 kg.	25,00
BKP-D/095-M10		M10	13,5	20,0	43,0	10,5	90,0	30	~1,8 kg.	300	~18,0 kg.	25,00
BKP-D/095-M12/SD		M12	13,5	20,0	43,0	13,0	90,0	30	~1,8 kg.	300	~18,0 kg.	22,50
BKP-D/120-M08	120	M08	15,0	25,0	60,0	8,5	115,0	15	~1,9 kg.	150	~19,0 kg.	39,00
BKP-D/120-M10		M10	15,0	25,0	60,0	10,5	115,0	15	~1,9 kg.	150	~19,0 kg.	39,00
BKP-D/120-M12/SD		M12	15,0	25,0	60,0	13,0	115,0	15	~1,9 kg.	150	~19,0 kg.	35,75
BKP-D/150-M08	150	M08	16,6	25,0	60,0	8,5	115,0	15	~1,8 kg.	150	~18,0 kg.	39,00
BKP-D/150-M10		M10	16,6	25,0	60,0	10,5	115,0	15	~1,8 kg.	150	~18,0 kg.	39,00
BKP-D/150-M12/SD		M12	16,6	25,0	60,0	13,0	115,0	15	~1,8 kg.	150	~18,0 kg.	35,75
BKP-D/185-M08	185	M08	18,5	32,0	60,0	8,5	122,0	8	~1,8 kg.	80	~18,0 kg.	63,50
BKP-D/185-M10		M10	18,5	32,0	60,0	10,5	122,0	8	~1,8 kg.	80	~18,0 kg.	63,50
BKP-D/185-M12/SD		M12	18,5	32,0	60,0	13,0	122,0	8	~1,8 kg.	80	~18,0 kg.	58,00
BKP-D/240-M08	240	M08	21,0	32,0	60,0	8,5	122,0	8	~1,7 kg.	80	~17,0 kg.	63,50
BKP-D/240-M10		M10	21,0	32,0	60,0	10,5	122,0	8	~1,7 kg.	80	~17,0 kg.	63,50
BKP-D/240-M12/SD		M12	21,0	32,0	60,0	13,0	122,0	8	~1,7 kg.	80	~17,0 kg.	58,00
BKP-D/300-M08	300	M08	23,0	34,0	62,0	8,5	125,0	8	~1,8 kg.	80	~18,0 kg.	105,00
BKP-D/300-M10		M10	23,0	34,0	62,0	10,5	125,0	8	~1,8 kg.	80	~18,0 kg.	105,00
BKP-D/300-M12/SD		M12	23,0	34,0	62,0	13,0	125,0	8	~1,8 kg.	80	~18,0 kg.	100,00
BKP-D/400-M12/SD	400	M12	26,0	38,0	70,0	13,0	159,0	5	~1,9 kg.	50	~19,0 kg.	105,00
BKP-D/500-M18/SD	500	M18	29,0	47,0	75,0	19,0	167,0	3	~1,8 kg.	30	~18,0 kg.	250,00
BKP-D/625-M20/SD	625	M20	34,0	54,0	80,0	21,0	200,0	8	~6,8 kg.	16	~13,8 kg.	335,00

BKP-D ÖZELLİKLERİ

HAMMADE / METERIAL	ELEKTROLİTİK BAKIR / ALÜMİNYUM / ELECTROLYTIC COPPER / ALUMINIUM
KAPLAMA / COATING	DOĞAL PARLAK / NATURAL BRIGHT
BAĞLANTI / JOINT	SIKMA / CLAMP COUPLING
DİN NORMU 48201 ALÜMİNYUM KABLOYA UYGUNDUR / CONFORMED TO DIN 48201 ALUMINIUM CABLE	
DİN NORMU 46329 BORU ÖLÇÜSÜNE UYGUNDUR / CONFORMED TO DIN 46329 TUBE DIMENSIONS	



BEM-D



BİMETAL EK MUFLARI (AL-CU) BIMETALLIC BUTT CONNECTORS (AL-CU)

5846 sayılı yasa gereği fotoğrafların izinsiz yayınlanması ve kullanılması kesinlikle yasaktır.

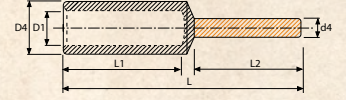
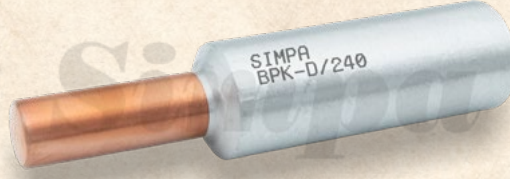
ÜRÜN KODU ORDER CODE	KABLO KESİTİ CABLE SECTION(mm)	BOYUTLAR DIMENSIONS							KUTU ADEĐİ BOX PCS.	KUTU AĞIRLIĐI BOX WEIGHT	KOLİ ADEĐİ PARCEL PCS.	KOLİ AĞIRLIĐI BOX WEIGHT	BİRİM FİYATI UNITPRICE TL
		D1	D4	d1	d4	L1	L2	L					
BEM-D/010-006	10 / 6	5,5	10,0	5,0	9,0	32,0	25,0	70,0	140	~2,6 kg.	1.400	~26,0 kg.	10,50
BEM-D/016-010	16 / 10	5,5	10,0	5,5	9,0	35,0	28,0	75,0	140	~2,5 kg.	1.400	~25,0 kg.	10,50
BEM-D/025-016	25 / 16	7,0	12,0	6,0	10,0	37,0	30,0	80,0	100	~2,6 kg.	1.000	~26,0 kg.	11,60
BEM-D/035-025	35 / 25	8,5	14,0	7,0	11,0	44,0	32,0	90,0	70	~2,3 kg.	700	~23,0 kg.	14,30
BEM-D/035-035	35 / 35	8,5	14,0	8,5	12,0	44,0	32,0	90,0	60	~2,4 kg.	600	~24,0 kg.	15,00
BEM-D/050-025	50 / 25	9,5	16,0	7,0	11,0	45,0	32,0	90,0	50	~2,5 kg.	700	~25,0 kg.	15,50
BEM-D/050-035	50 / 35	9,5	16,0	8,5	12,0	45,0	34,0	95,0	50	~2,6 kg.	500	~26,0 kg.	16,00
BEM-D/050-050	50 / 50	9,5	16,0	9,5	14,0	45,0	35,0	95,0	40	~2,8 kg.	400	~28,0 kg.	19,25
BEM-D/070-035	70 / 35	12,0	18,0	8,5	12,0	46,0	34,0	100,0	35	~2,0 kg.	350	~20,0 kg.	21,00
BEM-D/070-050	70 / 50	12,0	18,0	9,5	14,0	46,0	35,0	100,0	35	~2,1 kg.	350	~21,0 kg.	20,00
BEM-D/095-035	95 / 35	13,0	21,0	8,5	12,0	51,0	34,0	100,0	25	~1,3 kg.	250	~13,0 kg.	26,50
BEM-D/095-050	95 / 50	13,0	21,0	9,5	14,0	51,0	35,0	105,0	20	~1,3 kg.	200	~13,0 kg.	26,50
BEM-D/095-070	95 / 70	13,0	21,0	12,0	16,0	51,0	41,0	110,0	20	~1,4 kg.	200	~14,0 kg.	26,25
BEM-D/120-095	120 / 95	15,0	23,0	13,0	18,0	52,0	43,0	112,0	15	~1,5 kg.	150	~15,0 kg.	36,00
BEM-D/150-120	150 / 120	16,0	25,0	15,0	20,0	54,0	44,0	118,0	12	~2,0 kg.	120	~20,0 kg.	44,00
BEM-D/185-150	185 / 150	18,0	27,0	16,0	22,0	58,0	47,0	125,0	12	~1,9 kg.	120	~19,0 kg.	58,00
BEM-D/240-150	240 / 150	20,0	30,0	16,0	22,0	60,0	47,0	125,0	10	~1,7 kg.	100	~17,0 kg.	62,00
BEM-D/240-185	240 / 185	20,0	30,0	18,0	25,0	60,0	48,0	130,0	10	~1,8 kg.	100	~18,0 kg.	64,00
BEM-D/300-240	300 / 240	23,0	34,0	20,0	27,0	65,0	55,0	140,0	6	~2,3 kg.	60	~23,0 kg.	110,00
BEM-D/400-240	400 / 240	26,0	38,0	20,0	27,0	70,0	55,0	145,0	6	~1,8 kg.	60	~18,0 kg.	143,00
BEM-D/400-300	400 / 300	26,0	38,0	24,0	30,0	70,0	60,0	150,0	6	~1,9 kg.	60	~19,0 kg.	135,00
BEM-D/500-400	500 / 400	29,0	42,0	26,0	34,0	75,0	65,0	160,0	4	~1,8 kg.	40	~18,0 kg.	210,00
BEM-D/625-500	625 / 500	34,0	54,0	30,0	38,0	80,0	70,0	170,0	1	~0,7 kg.	10	~7,0 kg.	300,00

BEM-D ÖZELLİKLERİ

HAMMADE / METERIAL	ELEKTROLİTİK BAKIR / ALÜMİNYUM / ELECTROLYTIC COPPER / ALUMINIUM
KAPLAMA / COATING	DOĞAL PARLAK / NATURAL BRIGHT
BAĞLANTI / JOINT	SİKMA / CLAMP COUPLING



BPK-D



BİMETAL PİN KONNEKTÖR (AL-CU) BIMETALLIC PIN TYPE CONNECTORS (AL-CU)

5846 sayılı yasa gereği fotoğrafların izinsiz yayınlanması ve kullanılması kesinlikle yasaktır.

ÜRÜN KODU ORDER CODE	KABLO KESİTİ CABLE SECTION(mm)	BOYUTLAR DIMENSIONS					KUTU ADEDİ BOX PCS.	KUTU AĞIRLIĞI BOX WEIGHT	KOLİ ADEDİ PARCEL PCS.	KOLİ AĞIRLIĞI BOX WEIGHT	BİRİM FİYATI UNITPRICE TL
		D1	D4	L1	L2	d4					
BPK-D/010	10	5,5	16,0	42,0	25,0	7,0	60	~2,1 kg.	600	~21,0 kg.	14,30
BPK-D/016	16	6,0	16,0	42,0	25,0	7,0	60	~2,2 kg.	600	~22,0 kg.	16,50
BPK-D/025	25	7,0	16,0	42,0	25,0	7,0	60	~2,2 kg.	600	~22,0 kg.	16,50
BPK-D/035	35	8,5	16,0	42,0	25,0	7,0	60	~2,3 kg.	600	~23,0 kg.	16,50
BPK-D/050	50	9,6	20,0	50,0	35,0	12,0	30	~2,4 kg.	300	~24,0 kg.	17,60
BPK-D/070	70	11,5	20,0	50,0	35,0	12,0	30	~2,4 kg.	300	~24,0 kg.	18,70
BPK-D/095	95	13,5	20,0	50,0	35,0	12,0	30	~2,5 kg.	300	~25,0 kg.	22,00
BPK-D/120	120	15,0	25,0	60,0	38,0	14,0	15	~2,0 kg.	150	~20,0 kg.	33,00
BPK-D/150	150	16,6	25,0	60,0	38,0	14,0	15	~2,0 kg.	150	~20,0 kg.	34,00

BPK-D ÖZELLİKLERİ

HAMMADDE / METERIAL	ELEKTROLİTİK BAKIR / ALÜMİNYUM / ELECTROLYTIC COPPER / ALUMINIUM
KAPLAMA / COATING	DOĞAL PARLAK / NATURAL BRIGHT
BAĞLANTI / JOINT	SIKMA / CLAMP COUPLING



1 TBE

MONOFAZE ERKEK İZOLELİ BARALAR 1 PHASE INSULATED COMB BUSBARS PIN TYPE

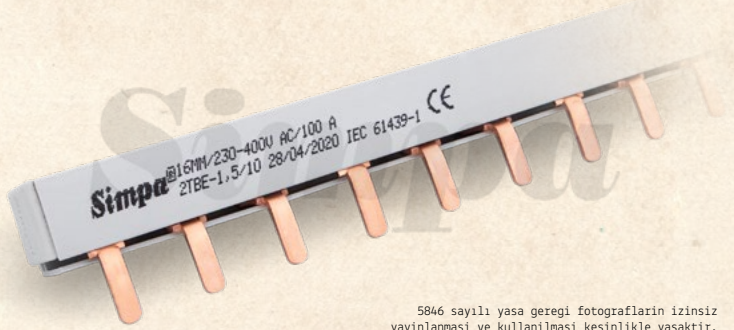


5846 sayılı yasa gereği fotoğrafların izinsiz yayınlanması ve kullanılması kesinlikle yasaktır.

ÜRÜN KODU ORDER CODE	MODÜL MODULE	BAKIR KALINLIĞI COPPER THICKNESS	MAKSİMUM AKIM DEĞERİ MAXIMUM CURRENT VALUE	ÇALIŞMA GERİLİMİ OPERATING VOLTAGE	KUTU ADEĐİ BOX PCS.	KUTU AĞIRLIĞI BOX WEIGHT	KOLİ ADEĐİ PARCEL PCS.	KOLİ AĞIRLIĞI BOX WEIGHT	BİRİM FİYATI UNIT PRICE TL
1TBE-30/1,0	30 OTOMAT İÇİN - 30 Modules	1,0 mm.	80 A	230-400 V	30	~3,0 kg.	150	~15,0 kg	21,60
1TBE-MT/1,0	56 OTOMAT İÇİN - 56 Modules	1,0 mm.	80 A	230-400 V	30	~5,9 kg.	90	~17,7 kg	40,32
1TBE-12/1,5	12 OTOMAT İÇİN - 12 Modules	1,5 mm.	100 A	230-400 V	60	~3,0 kg.	300	~15,0 kg	12,60
1TBE-18/1,5	18 OTOMAT İÇİN - 18 Modules	1,5 mm.	100 A	230-400 V	30	~2,3 kg.	150	~11,5 kg	18,90
1TBE-24/1,5	24 OTOMAT İÇİN - 24 Modules	1,5 mm.	100 A	230-400 V	30	~3,1 kg.	150	~15,5 kg	25,20
1TBE-30/1,5	30 OTOMAT İÇİN - 30 Modules	1,5 mm.	100 A	230-400 V	30	~3,7 kg.	150	~18,5 kg	31,50
1TBE-MT/1,5	56 OTOMAT İÇİN - 56 Modules	1,5 mm.	100 A	230-400 V	30	~7,1 kg.	90	~21,3 kg	58,80

2 TBE

İKİ FAZLI ERKEK İZOLELİ BARALAR 2 PHASE INSULATED COMB BUSBARS PIN TYPE



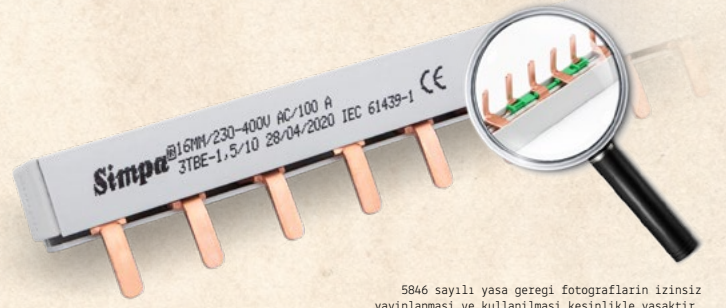
5846 sayılı yasa gereği fotoğrafların izinsiz yayınlanması ve kullanılması kesinlikle yasaktır.

ÜRÜN KODU ORDER CODE	MODÜL MODULE	BAKIR KALINLIĞI COPPER THICKNESS	MAKSİMUM AKIM DEĞERİ MAXIMUM CURRENT VALUE	ÇALIŞMA GERİLİMİ OPERATING VOLTAGE	KUTU ADEĐİ BOX PCS.	KUTU AĞIRLIĞI BOX WEIGHT	KOLİ ADEĐİ PARCEL PCS.	KOLİ AĞIRLIĞI BOX WEIGHT	BİRİM FİYATI UNIT PRICE TL
2TBE-06/1,0	6 GRUP İÇİN - 6 Modules	1,0 mm.	80 A	230-400 V	24	~2,2 kg.	120	~11,0 kg	22,80
2TBE-09/1,0	9 GRUP İÇİN - 9 Modules	1,0 mm.	80 A	230-400 V	12	~1,7 kg.	60	~8,5 kg	34,20
2TBE-12/1,0	12 GRUP İÇİN - 12 Modules	1,0 mm.	80 A	230-400 V	12	~2,2 kg.	60	~11,0 kg	45,60
2TBE-15/1,0	15 GRUP İÇİN - 15 Modules	1,0 mm.	80 A	230-400 V	12	~2,7 kg.	60	~13,5 kg	57,00
2TBE-MT/1,0	28 GRUP İÇİN - 28 Modules	1,0 mm.	80 A	230-400 V	10	~4,3 kg.	30	~12,9 kg	106,40
2TBE-06/1,5	6 GRUP İÇİN - 6 Modules	1,5 mm.	100 A	230-400 V	24	~1,4 kg.	120	~7,0 kg	31,80
2TBE-09/1,5	9 GRUP İÇİN - 9 Modules	1,5 mm.	100 A	230-400 V	12	~2,1 kg.	60	~10,5 kg	47,70
2TBE-12/1,5	12 GRUP İÇİN - 12 Modules	1,5 mm.	100 A	230-400 V	12	~2,7 kg.	60	~13,5 kg	63,60
2TBE-15/1,5	15 GRUP İÇİN - 15 Modules	1,5 mm.	100 A	230-400 V	12	~3,4 kg.	60	~17,0 kg	79,50
2TBE-MT/1,5	28 GRUP İÇİN - 28 Modules	1,5 mm.	100 A	230-400 V	10	~5,5 kg.	30	~16,5 kg	148,40



3 TBE

TRİFAZE ERKEK İZOLELİ BARALAR 3 PHASE INSULATED COMB BUSBARS PIN TYPE



5846 sayılı yasa gereği fotoğrafların izinsiz yayınlanması ve kullanılması kesinlikle yasaktır.

ÜRÜN KODU ORDER CODE	MODÜL MODULE	BAKIR KALINLIĞI COPPER THICKNESS	MAKSİMUM AKIM DEĞERİ MAXIMUM CURRENT VALUE	ÇALIŞMA GERİLİMİ OPERATING VOLTAGE	KUTU ADEĐİ BOX PCS.	KUTU AĞIRLIĞI BOX WEIGHT	KOLİ ADEĐİ PARCEL PCS.	KOLİ AĞIRLIĞI BOX WEIGHT	BİRİM FİYATI UNIT PRICE TL
3TBE-10/0,8	10 GRUP İÇİN - 10 Modules	0,8 mm.	63 A	230 - 400 V	12	~2,2 kg.	120	~11,0 kg	54,90
3TBE-MT/0,8	19 GRUP İÇİN - 19 Modules	0,8 mm.	63 A	230 - 400 V	10	~1,8 kg.	60	~9,0 kg	104,31
3TBE-04/1,0	4 GRUP İÇİN - 4 Modules	1,0 mm.	80 A	230 - 400 V	24	~2,5 kg.	120	~12,5 kg	28,44
3TBE-06/1,0	6 GRUP İÇİN - 6 Modules	1,0 mm.	80 A	230 - 400 V	12	~2,0 kg.	60	~10,0 kg	42,66
3TBE-08/1,0	8 GRUP İÇİN - 8 Modules	1,0 mm.	80 A	230 - 400 V	12	~2,6 kg.	60	~13,0 kg	56,88
3TBE-10/1,0	10 GRUP İÇİN - 10 Modules	1,0 mm.	80 A	230 - 400 V	12	~3,2 kg.	60	~16,0 kg	71,10
3TBE-MT/1,0	19 GRUP İÇİN - 19 Modules	1,0 mm.	80 A	230 - 400 V	10	~5,3 kg.	30	~15,9 kg	135,09
3TBE-04/1,5	4 GRUP İÇİN - 4 Modules	1,5 mm.	100 A	230 - 400 V	24	~3,2 kg.	120	~16,0 kg	40,56
3TBE-06/1,5	6 GRUP İÇİN - 6 Modules	1,5 mm.	100 A	230 - 400 V	12	~2,6 kg.	60	~13,0 kg	60,84
3TBE-08/1,5	8 GRUP İÇİN - 8 Modules	1,5 mm.	100 A	230 - 400 V	12	~3,3 kg.	60	~16,5 kg	81,12
3TBE-10/1,5	10 GRUP İÇİN - 10 Modules	1,5 mm.	100 A	230 - 400 V	12	~4,2 kg.	60	~21,0 kg	101,40
3TBE-MT/1,5	19 GRUP İÇİN - 19 Modules	1,5 mm.	100 A	230 - 400 V	10	~6,8 kg.	30	~20,4 kg	192,66

4 TBE



ÜÇ FAZ + NÖTR ERKEK İZOLELİ BARALAR THREE PHASE + NEUTRAL INSULATED COMB BUSBARS PIN TYPE

5846 sayılı yasa gereği fotoğrafların izinsiz yayınlanması ve kullanılması kesinlikle yasaktır.

ÜRÜN KODU ORDER CODE	MODÜL MODULE	BAKIR KALINLIĞI COPPER THICKNESS	MAKSİMUM AKIM DEĞERİ MAXIMUM CURRENT VALUE	ÇALIŞMA GERİLİMİ OPERATING VOLTAGE	KUTU ADEĐİ BOX PCS.	KUTU AĞIRLIĞI BOX WEIGHT	KOLİ ADEĐİ PARCEL PCS.	KOLİ AĞIRLIĞI BOX WEIGHT	BİRİM FİYATI UNIT PRICE TL
4TBE-04/1,5	4 GRUP İÇİN - 4 Modules	1,5 mm.	100 A	230-400 V	8	~2,0 kg.	40	~10,0 kg	87,52
4TBE-05/1,5	5 GRUP İÇİN - 5 Modules	1,5 mm.	100 A	230-400 V	8	~2,8 kg.	40	~14,0 kg	109,40
4TBE-06/1,5	6 GRUP İÇİN - 6 Modules	1,5 mm.	100 A	230-400 V	8	~3,0 kg.	40	~15,0 kg	131,28
4TBE-07/1,5	7 GRUP İÇİN - 7 Modules	1,5 mm.	100 A	230-400 V	8	~3,5 kg.	40	~17,5 kg	153,16
4TBE-08/1,5	8 GRUP İÇİN - 8 Modules	1,5 mm.	100 A	230-400 V	8	~3,9 kg.	40	~19,5 kg	175,04
4TBE-MT/1,5	14 GRUP İÇİN - 14 Modules	1,5 mm.	100 A	230-400 V	8	~6,8 kg.	24	~20,4 kg	306,32

3 TBD



TRİFAZE DİŞLİ İZOLELİ BARALAR 3 PHASE INSULATED COMB BUSBARS FORK TYPE

5846 sayılı yasa gereği fotoğrafların izinsiz yayınlanması ve kullanılması kesinlikle yasaktır.

ÜRÜN KODU ORDER CODE	MODÜL MODULE	BAKIR KALINLIĞI COPPER THICKNESS	MAKSİMUM AKIM DEĞERİ MAXIMUM CURRENT VALUE	ÇALIŞMA GERİLİMİ OPERATING VOLTAGE	KUTU ADEĐİ BOX PCS.	KUTU AĞIRLIĞI BOX WEIGHT	BİRİM FİYATI UNIT PRICE TL
3TBD-04/1,0	4 GRUP İÇİN - 4 Modules	1,0 mm.	80 A	230 - 400 V	24	~2,3 kg.	34,00
3TBD-10/1,0	10 GRUP İÇİN - 10 Modules	1,0 mm.	80 A	230 - 400 V	12	~3,4 kg.	85,00
3TBD-04/1,5	4 GRUP İÇİN - 4 Modules	1,5 mm.	100 A	230 - 400 V	24	~3,6 kg.	46,40
3TBD-10/1,5	10 GRUP İÇİN - 10 Modules	1,5 mm.	100 A	230 - 400 V	12	~4,5 kg.	116,00

BARA TAPALARI



PROTECTIVE BUSBAR CAPS

5846 sayılı yasa gereği fotoğrafların izinsiz yayınlanması ve kullanılması kesinlikle yasaktır.

ÜRÜN KODU ORDER CODE	PAKET ADEĐİ PACKAGE PCS.	PAKET AĞIRLIĞI PACKAGE WEIGHT	BİRİM FİYATI UNIT PRICE TL
MONOFAZE BARA TAPASI MONOPHASE PROTECTIVE BUSBAR CAPS	150	~0,1 kg.	29,00
İKİ ve ÜÇ FAZ BARA TAPASI 2 & 3 PHASE PROTECTIVE BUSBAR CAPS	125	~0,1 kg.	33,00
TRİFAZE + NÖTR BARA TAPASI 3+ N PHASE PROTECTIVE BUSBAR CAPS	75	~0,1 kg.	28,00



I BOB-E

MONOFAZE ERKEK İZOLESİZ BAKIR BARALAR
1 PHASE NON-INSULATED COMB BUSBARS PIN TYPE



5846 sayılı yasa gereği fotoğrafların izinsiz yayınlanması ve kullanılması kesinlikle yasaktır.

ÜRÜN KODU ORDER CODE	KULLANIM YERİ BE USED	BAKIR KALINLIĞI COPPER THICKNESS	KUTU ADEDİ BOX PCS.	KUTU AĞIRLIĞI BOX WEIGHT	KOLİ ADEDİ PARCEL PCS.	KOLİ AĞIRLIĞI BOX WEIGHT	BİRİM FIYATI UNIT PRICE TL
1BOB-E/1,5	Monofaze N Otomat	1,5 mm.	20	~3,3 kg.			44,00
1BOB-E/2,0	Monofaze N Otomat	2,0 mm.	20				56,00

I BOB-D

MONOFAZE DIŞI İZOLESİZ BAKIR BARALAR
1 PHASE NON-INSULATED COMB BUSBARS FORK TYPE

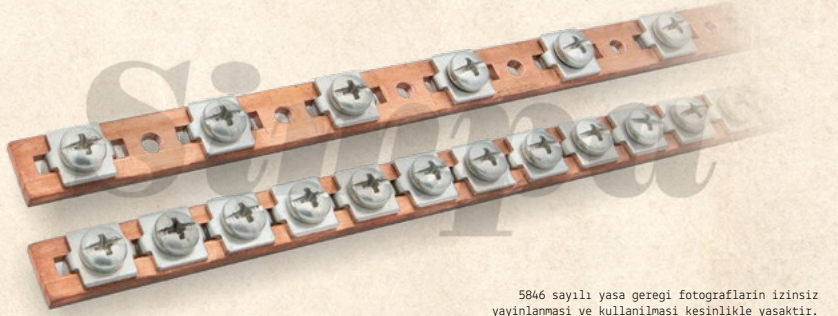


5846 sayılı yasa gereği fotoğrafların izinsiz yayınlanması ve kullanılması kesinlikle yasaktır.

ÜRÜN KODU ORDER CODE	KULLANIM YERİ BE USED	BAKIR KALINLIĞI COPPER THICKNESS	KUTU ADEDİ BOX PCS.	KUTU AĞIRLIĞI BOX WEIGHT	KOLİ ADEDİ PARCEL PCS.	KOLİ AĞIRLIĞI BOX WEIGHT	BİRİM FIYATI UNIT PRICE TL
1BOB-D/1,5	Monofaze W Otomat	1,5 mm.	20				☎
1BOB-D/2,0	Monofaze W Otomat	2,0 mm.	20	~4,6 kg.			47,00

KUB

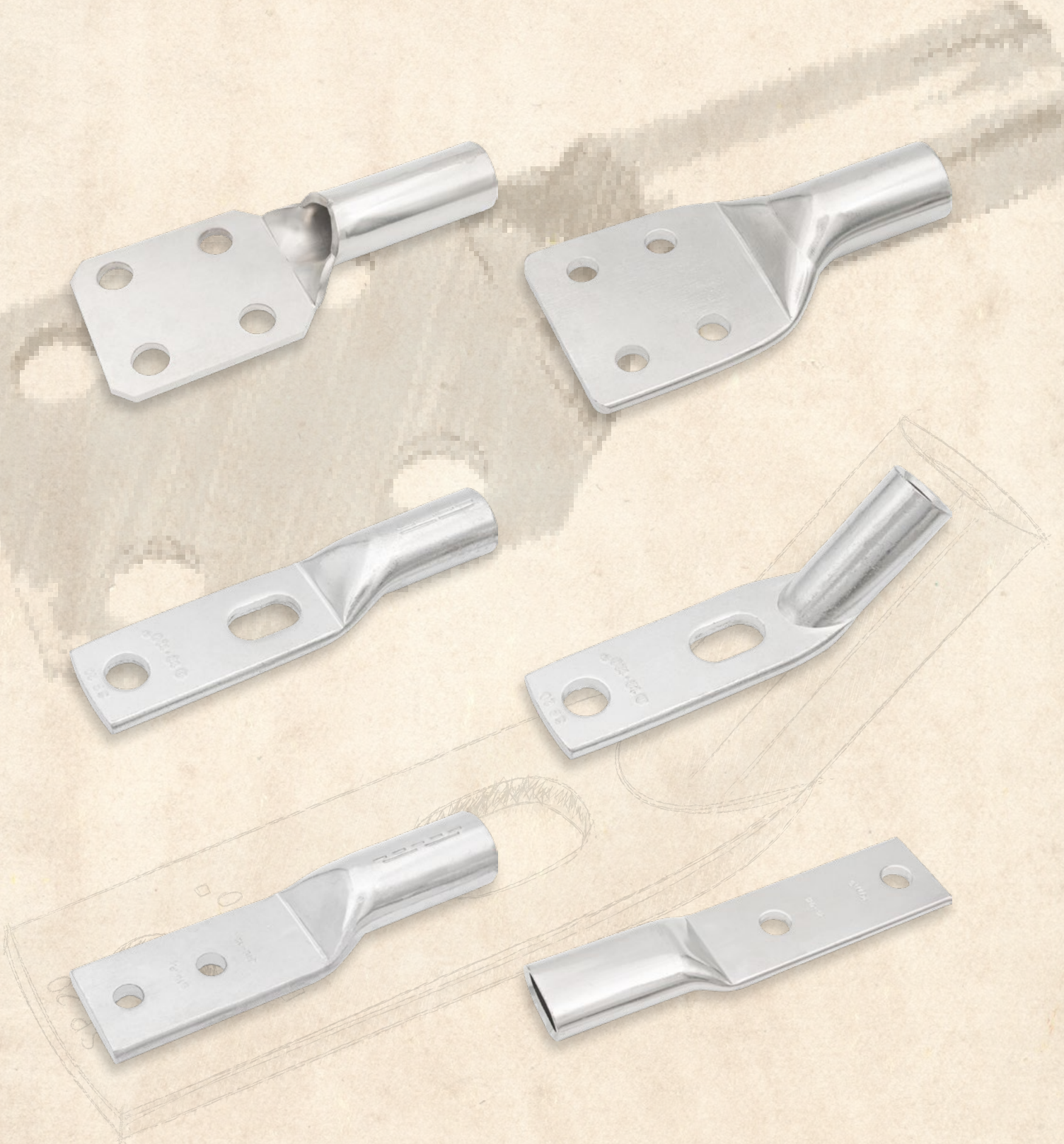
(NÖTR) BAKIR TOPRAKLAMA BARALARI
EARTHING BARS



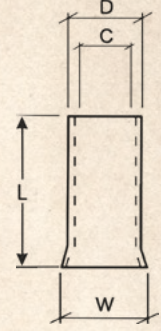
5846 sayılı yasa gereği fotoğrafların izinsiz yayınlanması ve kullanılması kesinlikle yasaktır.

ÜRÜN KODU ORDER CODE	DAĞITIM SAYISI DISTRIBUTION	BAKIR KALINLIĞI COPPER THICKNESS	KUTU ADEDİ BOX PCS.	KUTU AĞIRLIĞI BOX WEIGHT	KOLİ ADEDİ PARCEL PCS.	KOLİ AĞIRLIĞI BOX WEIGHT	BİRİM FIYATI UNIT PRICE TL
KUB-1,5/31	31 VİDA	1,5X15,0	10	~3,3 kg.	40	~13,2 kg.	50,00
KUB-1,5/61	61 VİDA	1,5X15,0	10	~4,6 kg.	40	~18,4 kg.	60,00
KUB-2,0/31	31 VİDA	2,0X15,0	10	~3,9 kg.	40	~15,6 kg.	63,00
KUB-2,0/61	61 VİDA	2,0X15,0	10	~5,2 kg.	40	~20,8 kg.	73,00
KUB-3,0/31	31 VİDA	3,0X15,0	10	~5,0 kg.	40	~20,0 kg.	89,00
KUB-3,0/61	61 VİDA	3,0X15,0	10	~6,3 kg.	40	~25,2 kg.	99,00

ÖZEL ÇÖZÜM GEREKTİREN PROJELERDE DOĞRU TERCİH



SP-KY



İZOLESİZ KABLO YÜKSÜKLERİ NON-INSULATED SLEEVES

5846 sayılı yasa gereği fotoğrafların izinsiz yayınlanması ve kullanılması kesinlikle yasaktır.

ÜRÜN KODU ORDER CODE	KABLO KESİTİ CABLE SECTION (mm)	BOYUTLAR DIMENSIONS				KUTU ADEDİ BOX PCS.	KUTU AĞIRLIĞI BOX WEIGHT	BİRİM FİYATI UNIT PRICE TL	KUTU FİYATI BOX PRICE TL
		L	W	D	C				
SP-KY/0,50-10	0,50	10	1,7	1,3	1,0	1.000	~0,1 kg.	0,044	44,00
SP-KY/0,75-10	0,75	10	1,9	1,5	1,2	1.000	~0,1 kg.	0,044	44,00
SP-KY/1,0-10	1	10	2,2	1,8	1,4	1.000	~0,1 kg.	0,044	44,00
SP-KY/1,5-10	1,5	10	2,5	2,0	1,7	1.000	~0,1 kg.	0,054	54,00
SP-KY/2,5-12	2,5	12	3,3	2,6	2,2	1.000	~0,1 kg.	0,072	72,00
SP-KY/4-12	4	12	3,9	3,2	2,8	500	~0,1 kg.	0,100	50,00
SP-KY/6-12	6	12	4,8	3,9	3,5	250	~0,1 kg.	0,136	34,00
SP-KY/10-12	10	12	5,8	4,9	4,5	250	~0,1 kg.	0,160	40,00
SP-KY/16-12	16	12	7,2	6,2	5,8	100	~0,1 kg.	0,225	22,50
SP-KY/25-15	25	16	9,1	7,9	7,5	100	~0,1 kg.	0,420	42,00
SP-KY/35-15	35	16	10,2	8,7	8,3	50	~0,1 kg.	0,480	24,00
SP-KY/50-20	50	20	12,4	10,9	10,3	40	~0,1 kg.	1,100	44,00
SP-KY/70-25	70	25	15,8	14,3	13,5	20	~0,2 kg.	2,500	50,00
SP-KY/95-25	95	25	19,3	15,6	14,6	20	~0,2 kg.	3,900	78,00
SP-KY/120-32	120	32	20,2	17,7	16,7	15	~0,2 kg.	6,250	93,75
SP-KY/150-32	150	32	23,0	20,6	19,6	10	~0,2 kg.	9,500	95,00

KY ÖZELLİKLERİ

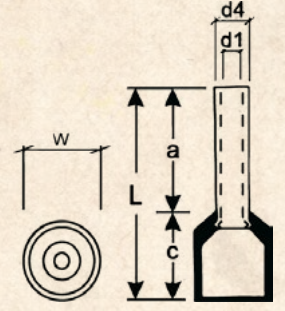
HAMMADDE / MATERIAL	BAKIR / COPPER
KAPLAMA / COATING	KALAY / TIN PLATED

YÜKSÜK KODLARIMIZDA, BİRİNCİ RAKAMLAR KESİTİ, İKİNCİ RAKAMLAR YÜKSÜK BOYLARINI GÖSTERMEKTEDİR.
FOR THE INSULATED CONNECTORS, THE FIRST PART OF THE PRODUCT CODE INDICATES THE DIAMETER AND
THE SECOND PART INDICATES LENGTH OF THE PRODUCT.



SP-IKY

İZOLELİ KABLO YÜKSÜKLERİ INSULATED CABLE END-SLEEVES



5846 sayılı yasa gereği fotoğrafların izinsiz yayınlanması ve kullanılması kesinlikle yasaktır.

ÜRÜN KODU ORDER CODE	KABLO KESİTİ CABLE SECTION (mm)	BOYUTLAR DIMENSIONS						RENK COLOR	KUTU ADEDİ BOX PCS.	KUTU AĞIRLIĞI BOX WEIGHT	BİRİM FİYATI UNIT PRICE TL	KUTU FİYATI BOX PRICE TL
		c	a	L	W	d4	d1					
SP-IKY/0,50-8	0,5	6,0	8,0	14,0	2,6	1,3	1,0	Turuncu	1.000	~0,2 kg.	0,050	50,00
SP-IKY/0,75-8	0,75	6,0	8,0	14,0	2,8	1,5	1,2	Beyaz	1.000	~0,3 kg.	0,050	50,00
SP-IKY/1,0-8	1	6,0	8,0	14,0	3	1,7	1,4	Sarı	1.000	~0,1 kg.	0,050	50,00
SP-IKY/1,5-8	1,5	6,0	8,0	14,0	3,5	2,0	1,7	Kırmızı	700	~0,1 kg.	0,055	38,50
SP-IKY/1,5-10		6,0	10,0	16,0	3,5	2,0	1,7	Kırmızı	600	~0,2 kg.	0,075	45,00
SP-IKY/1,5-18		6,0	18,0	24,0	3,5	2,0	1,7	Kırmızı	400	~0,2 kg.	0,140	56,00
SP-IKY/2,5-8	2,5	7,0	8,0	15,0	4	2,6	2,3	Mavi	500	~0,3 kg.	0,065	32,50
SP-IKY/2,5-12		7,0	10,0	17,0	4	2,6	2,3	Mavi	400	~0,2 kg.	0,110	44,00
SP-IKY/2,5-18		7,0	18,0	25,0	4	2,6	2,3	Mavi	300	~0,2 kg.	0,150	45,00
SP-IKY/4-10	4	7,0	9,0	16,0	4,4	3,2	2,8	Gri	250	~0,1 kg.	0,115	28,75
SP-IKY/4-12		8,0	12,0	20,0	4,4	3,2	2,8	Gri	250	~0,2 kg.	0,160	40,00
SP-IKY/6-12	6	8,0	12,0	20,0	6,3	3,9	3,5	Siyah	200	~0,2 kg.	0,140	28,00
SP-IKY/10-12	10	9,0	12,0	21,0	7,6	4,9	4,5	Fildişi	100	~0,1 kg.	0,200	20,00
SP-IKY/16-12	16	10,0	12,0	22,0	8,8	6,2	5,8	Yeşil	50	~0,1 kg.	0,290	14,50
SP-IKY/16-18		10,0	18,0	28,0	8,8	6,2	5,8	Yeşil	50	~0,1 kg.	0,430	21,50
SP-IKY/25-16	25	13,0	16,0	29,0	11,2	7,9	7,5	Kahve	40	~0,1 kg.	0,475	19,00
SP-IKY/35-16	35	14,0	16,0	30,0	12,7	8,7	8,3	Bej	20	~0,1 kg.	0,575	11,50
SP-IKY/50-20	50	16,0	20,0	36,0	15,3	10,9	10,3	Z.Yeşili	20	~0,1 kg.	1,000	20,00
SP-IKY/70-20	70	16,0	20,0	36,0	16,0	14,3	13,5	Sarı	15	~0,1 kg.	2,400	36,00
SP-IKY/95-25	95	18,5	24,5	43,0	18,0	15,6	14,6	Kırmızı	8	~0,1 kg.	4,200	33,60
SP-IKY/120-27	120	20,0	27,0	47,0	20,0	17,7	16,7	Mavi	5	~0,1 kg.	6,700	33,50

SK-IKY ÖZELLİKLERİ

HAMMADDE / METEİRAL	BAKIR / COPPER
KAPLAMA / COATING	KALAY / TIN PLATED
İZOLASYON / INSULATION	NAYLON / NYLON
NORM / CONFORMED TO	DIN 46228

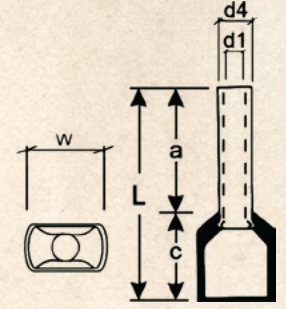
YÜKSÜK KODLARIMIZDA, BİRİNCİ RAKAMLAR KESİTİ, İKİNCİ RAKAMLAR YÜKSÜK BOYLARINI GÖSTERMEKTEDİR.
FOR THE INSULATED CABLE END-SLEEVES, THE FIRST PART OF THE PRODUCT CODE INDICATES THE DIAMETER AND THE SECOND PART INDICATES LENGTH OF THE PRODUCT.

ALMAN RENK NORMATINA UYGUNDUR.
CONFORMED TO GERMAN COLOR STANDARD.



SP-IKY/2

Simpa



İZOLELİ ÇİFT GİRİŞLİ KABLO YÜKSÜKLERİ INSULATED TWIN CABLE END-SLEEVES

5846 sayılı yasa gereği fotoğrafların izinsiz yayınlanması ve kullanılması kesinlikle yasaktır.

ÜRÜN KODU ORDER CODE	KABLO KESİTİ CABLE SECTION (mm)	BOYUTLAR DIMENSIONS						RENK COLOR	KUTU ADEDİ BOX PCS.	KUTU AĞIRLIĞI BOX WEIGHT	BİRİM FİYATI UNIT PRICE TL	KUTU FİYATI BOX PRICE TL
		c	a	L	W	d4	d1					
SP-IKY/2x0,5-8	2x0,5	7,0	8,0	15,0	5,0	1,8	1,5	Beyaz	500	~0,1 kg.	0,104	52,00
SP-IKY/2x0,75-8	2x0,75	7,0	8,0	15,0	5,5	2,1	1,8	Mavi	500	~0,1 kg.	0,104	52,00
SP-IKY/2x1,0-8	2x1	7,0	8,0	15,0	5,5	2,3	2,0	Kırmızı	500	~0,1 kg.	0,110	55,00
SP-IKY/2x1,5-8	2x1,5	8,0	8,0	16,0	6,4	2,6	2,3	Siyah	250	~0,1 kg.	0,144	36,00
SP-IKY/2x1,5-12		8,0	12,0	20,0	6,4	2,6	2,3	Siyah	250	~0,1 kg.	0,170	42,50
SP-IKY/2x2,5-10	2x2,5	9,0	10,0	19,0	8,0	3,3	2,9	Gri	200	~0,1 kg.	0,170	34,00
SP-IKY/2x4-12	2x4	11,0	12,0	23,0	8,8	4,2	3,8	Turuncu	100	~0,1 kg.	0,250	25,00
SP-IKY/2x6-14	2x6	12,0	14,0	26,0	9,5	5,3	4,9	Yeşil	75	~0,1 kg.	0,350	26,25
SP-IKY/2x10-14	2x10	13,0	14,0	27,0	13,6	6,9	6,5	Kahve	50	~0,1 kg.	0,475	23,75
SP-IKY/2x16-14	2x16	17,0	14,0	31,0	19,0	8,7	8,3	Bej	25	~0,1 kg.	0,600	15,00

SP-IKY/2 ÖZELLİKLERİ

HAMMADDE / METEİRAL	BAKIR / COPPER
KAPLAMA / COATING	KALAY / TIN PLATED
İZOLASYON / INSULATION	NAYLON / NYLON

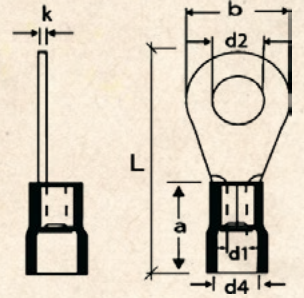
YÜKSÜK KODLARIMIZDA, BİRİNCİ RAKAMLAR KESİTİ, İKİNCİ RAKAMLAR YÜKSÜK BOYLARINI GÖSTERMEKTEDİR.

FOR THE INSULATED CABLE END-SLEEVES, THE FIRST PART OF THE PRODUCT CODE INDICATES THE DIAMETER AND THE SECOND PART INDICATES LENGTH OF THE PRODUCT.

ALMAN RENK NORMATINA UYGUNDUR.
CONFORMED TO GERMAN COLOR STANDARD.



SP-YK



İZOLELİ YUVARLAK TİP KABLO PABUÇLARI INSULATED RING TYPE TERMINALS

5846 sayılı yasa gereği fotoğrafların izinsiz yayınlanması ve kullanılması kesinlikle yasaktır.

ÜRÜN KODU ORDER CODE	KABLO KESİTİ CABLE SECTION (mm)	CIVATA DELİĞİ BOLT	BOYUTLAR DIMENSIONS							RENK COLOR	KUTU ADEĐİ BOX PCS.	KUTU AĞIRLIĞI BOX WEIGHT	ADET FİYATI UNIT PRICE TL	KUTU FİYATI BOX PRICE TL
			d1	d4	a	d2	b	L	k					
SP-YK/301	0,5-1,5	M3	1,6	4,3	10,0	3,2	5,7	17,6	0,7	Kırmızı	200	~0,2 kg.	0,170	34,00
SP-YK/401		M4	1,6	4,3	10,0	4,3	8,0	20,8	0,7	Kırmızı	200	~0,2 kg.	0,180	36,00
SP-YK/501		M5	1,6	4,3	10,0	5,3	9,8	23,0	0,7	Kırmızı	200	~0,2 kg.	0,220	44,00
SP-YK/601		M6	1,6	4,3	10,0	6,4	11,6	26,8	0,7	Kırmızı	200	~0,2 kg.	0,250	50,00
SP-YK/801		M8	2,3	4,3	10,0	8,4	11,6	26,8	0,7	Kırmızı	200	~0,2 kg.	0,320	64,00
SP-YK/302	1,5-2,5	M3	2,3	4,9	10,0	3,2	6,6	17,5	0,8	Mavi	200	~0,2 kg.	0,200	40,00
SP-YK/402		M4	2,3	4,9	10,0	4,3	8,5	22,0	0,8	Mavi	200	~0,2 kg.	0,220	44,00
SP-YK/402-S		M4	2,3	4,8	10,0	4,3	6,5	21,0	0,8	Mavi	200	~0,1 kg.	0,250	50,00
SP-YK/502		M5	2,3	4,9	10,0	5,3	9,5	22,0	0,8	Mavi	200	~0,2 kg.	0,250	50,00
SP-YK/502-S		M5	2,3	4,8	10,0	5,3	8,5	22,5	0,8	Mavi	200	~0,1 kg.	0,280	56,00
SP-YK/602		M6	2,3	4,9	10,0	6,4	12,0	27,0	0,8	Mavi	100	~0,2 kg.	0,290	29,00
SP-YK/802		M8	2,3	4,9	10,0	8,4	12,0	27,0	0,8	Mavi	100	~0,1 kg.	0,340	34,00
SP-YK/1002	M10	2,3	4,9	10,0	10,5	13,6	30,7	0,8	Mavi	100	~0,2 kg.	0,450	45,00	
SP-YK/1202	M12	2,3	4,9	10,0	13,0	19,2	36,2	0,8	Mavi	100	~0,2 kg.	0,550	55,00	
SP-YK/406	4-6	M4	3,6	6,7	13,0	4,3	9,5	25,8	1,0	Sarı	100	~0,2 kg.	0,400	40,00
SP-YK/506		M5	3,6	6,7	13,0	5,3	9,5	25,8	1,0	Sarı	100	~0,2 kg.	0,400	40,00
SP-YK/606		M6	3,6	6,7	13,0	6,4	12,0	31,8	1,0	Sarı	100	~0,2 kg.	0,450	45,00
SP-YK/806		M8	3,6	6,7	13,0	8,4	15,0	34,0	1,0	Sarı	75	~0,2 kg.	0,500	37,50
SP-YK/1006		M10	3,6	6,7	13,0	10,5	15,0	34,0	1,0	Sarı	75	~0,2 kg.	0,640	48,00
SP-YK/1206		M12	3,6	6,7	13,0	13,0	19,2	38,4	1,0	Sarı	50	~0,2 kg.	0,680	34,00

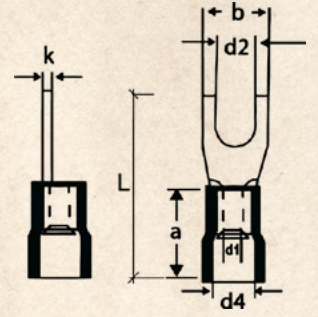
SP-YK ÖZELLİKLERİ

HAMMADE / METEERIAL	BAKIR / COPPER
KAPLAMA / COATING	KALAY / TIN PLATED
İZOLASYON / INSULATION	NAYLON / NYLON



SP-CK

İZOLELİ ÇATAL TİP KABLO PABUÇLARI INSULATED FORK TYPE TERMINALS



5846 sayılı yasa gereği fotoğrafların izinsiz yayınlanması ve kullanılması kesinlikle yasaktır.

ÜRÜN KODU ORDER CODE	KABLO KESİTİ CABLE SECTION (mm)	CIVATA DELİĞİ BOLT	BOYUTLAR DIMENSIONS							RENK COLOR	KUTU ADEDİ BOX PCS.	KUTU AĞIRLIĞI BOX WEIGHT	ADET FİYATI UNIT PRICE TL	KUTU FİYATI BOX PRICE TL
			d1	d4	a	d2	b	L	k					
SP-CK/301	0,5-1,5	M3	1,6	4,3	10,0	3,2	5,7	21,2	0,7	Kırmızı	200	~0,2 kg.	0,170	34,00
SP-CK/401		M4	1,6	4,3	10,0	4,3	8,1	21,2	0,7	Kırmızı	200	~0,2 kg.	0,175	35,00
SP-CK/501		M5	1,6	4,3	10,0	5,3	9,5	21,2	0,7	Kırmızı	200	~0,2 kg.	0,220	44,00
SP-CK/601		M6	1,6	4,3	10,0	6,4	12	27,2	0,7	Kırmızı	200	~0,2 kg.	0,250	50,00
SP-CK/302	1,5-2,5	M3	2,3	4,9	10,0	3,2	5,7	21,2	0,8	Mavi	200	~0,2 kg.	0,200	40,00
SP-CK/402		M4	2,3	4,9	10,0	4,3	8,1	21,2	0,8	Mavi	200	~0,2 kg.	0,200	40,00
SP-CK/402-S		M4	2,3	4,8	10,0	4,3	6,4	22,0	0,8	Mavi	200	~0,2 kg.	0,240	48,00
SP-CK/502		M5	2,3	4,9	10,0	5,3	9,5	21,2	0,8	Mavi	200	~0,2 kg.	0,245	49,00
SP-CK/602	M6	2,3	4,9	10,0	6,4	12	27,2	0,8	Mavi	100	~0,2 kg.	0,275	27,50	
SP-CK/406	4-6	M4	3,6	6,7	13,0	4,3	8,3	26,0	1,0	Sarı	100	~0,2 kg.	0,390	39,00
SP-CK/506		M5	3,6	6,7	13,0	5,3	9,0	26,0	1,0	Sarı	100	~0,2 kg.	0,390	39,00
SP-CK/606		M6	3,6	6,7	13,0	6,4	12,0	32,0	1,0	Sarı	100	~0,2 kg.	0,420	42,00
SP-CK/806		M8	3,6	6,7	13,0	8,4	14,0	37,0	1,0	Sarı	75	~0,2 kg.	0,375	37,50

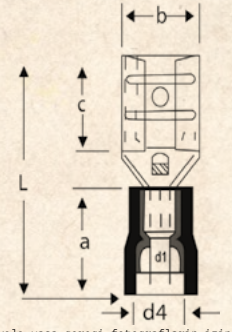
SP-CK ÖZELLİKLERİ

HAMMADE / METERIAL	BAKIR / COPPER
KAPLAMA / COATING	KALAY / TIN PLATED
İZOLASYON / INSULATION	NAYLON / NYLON



SP-FD

İZOLELİ DIŞI FASTON TİP KABLO UÇLARI INSULATED RECEPTACLES



5846 sayılı yasa gereği fotoğrafların izinsiz yayınlanması ve kullanılması kesinlikle yasaktır.

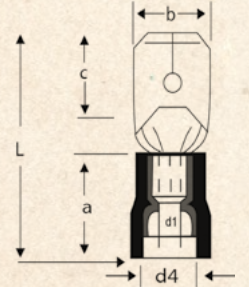
ÜRÜN KODU ORDER CODE	KABLO KESİTİ CABLE SECTION (mm)	SOKET GENİŞLİĞİ TAB SIZE	BOYUTLAR DIMENSIONS						RENK COLOR	KUTU ADEDİ BOX PCS.	KUTU AĞIRLIĞI BOX WEIGHT	ADET FİYATI UNIT PRICE TL	KUTU FİYATI BOX PRICE TL
			d1	d4	a	C	b	L					
SP-FD/1288-5	0,5-1,5	0,5x2,8	1,7	3,8	10,0	6,6	3,8	19,0	Kırmızı	200	~0,1 kg.	0,335	67,00
SP-FD/1288		0,8x2,8	1,7	3,8	10,0	6,6	3,8	19,0	Kırmızı	200	~0,1 kg.	0,335	67,00
SP-FD/1488-5		0,5x4,75	1,7	3,8	10,0	6,4	5,6	19,0	Kırmızı	200	~0,1 kg.	0,370	74,00
SP-FD/1488		0,8x4,75	1,7	3,8	10,0	6,4	5,6	19,0	Kırmızı	200	~0,1 kg.	0,370	74,00
SP-FD/1638		0,8x6,35	1,7	3,8	10,0	7,5	7,4	21,0	Kırmızı	100	~0,1 kg.	0,420	42,00
SP-FD/2288	1,5-2,5	0,8x2,8	2,3	4,3	10,0	6,5	3,8	19,0	Mavi	200	~0,1 kg.	0,370	74,00
SP-FD/2488		0,8x4,75	2,3	4,3	10,0	6,4	5,6	19,0	Mavi	200	~0,1 kg.	0,370	74,00
SP-FD/2638		0,8x6,35	2,3	4,3	10,0	7,5	7,4	21,0	Mavi	100	~0,1 kg.	0,490	49,00
SP-FD/2778		0,8x8	2,3	4,3	10,0	10	9,0	23,0	Mavi	100	~0,1 kg.	0,570	57,00
SP-FD/5638	4-6	0,8x6,35	3,4	5,7	13,0	7,5	7,4	25,0	Sarı	100	~0,1 kg.	0,670	67,00
SP-FD/5956		1,2x9,4	3,4	5,7	13,0	12	10,9	29,6	Sarı	50	~0,1 kg.	1,000	50,00

SP-FD ÖZELLİKLERİ

HAMMADDE / MATERIAL	PİRİNÇ / BRASS
KAPLAMA / COATING	KALAY / TIN PLATED
İZOLASYON / INSULATION	PVC

SP-FE

İZOLELİ ERKEK FASTON TİP KABLO UÇLARI INSULATED TABS



5846 sayılı yasa gereği fotoğrafların izinsiz yayınlanması ve kullanılması kesinlikle yasaktır.

ÜRÜN KODU ORDER CODE	KABLO KESİTİ CABLE SECTION (mm)	SOKET GENİŞLİĞİ TAB SIZE	BOYUTLAR DIMENSIONS						RENK COLOR	KUTU ADEDİ BOX PCS.	KUTU AĞIRLIĞI BOX WEIGHT	ADET FİYATI UNIT PRICE TL	KUTU FİYATI BOX PRICE TL
			d1	d4	a	c	b	L					
SP-FE/1288	0,5-1,5	0,8x2,8	1,7	4,3	10,0	6,5	2,8	17,7	Kırmızı	250	~0,1 kg.	0,300	75,00
SP-FE/1488		0,8x4,75	1,7	4,3	10,0	6,7	4,75	20,0	Kırmızı	250	~0,2 kg.	0,368	92,00
SP-FE/1638		0,8x6,35	1,7	4,3	10,0	7,7	6,35	21,0	Kırmızı	150	~0,1 kg.	0,435	65,25
SP-FE/2488	1,5-2,5	0,8x4,75	2,3	4,3	10,0	6,7	4,75	20,0	Mavi	250	~0,2 kg.	0,440	110,00
SP-FE/2638		0,8x6,35	2,3	4,3	10,0	7,7	6,35	21,0	Mavi	150	~0,1 kg.	0,450	67,50
SP-FE/5638	4-6	0,8x6,35	3,4	5,7	13,0	7,7	6,35	25,0	Sarı	100	~0,1 kg.	0,670	67,00

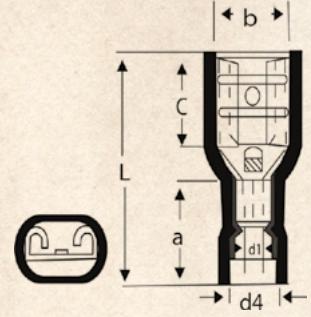
SP-FE ÖZELLİKLERİ

HAMMADDE / MATERIAL	PİRİNÇ / BRASS
KAPLAMA / COATING	KALAY / TIN PLATED
İZOLASYON / INSULATION	PVC



SP-IFD

TAM İZOLELİ DİŞİ FASTON TİP KABLO UÇLARI
INSULATED RECEPTACLES



5846 sayılı yasa gereği fotoğrafların izinsiz yayınlanması ve kullanılması kesinlikle yasaktır.

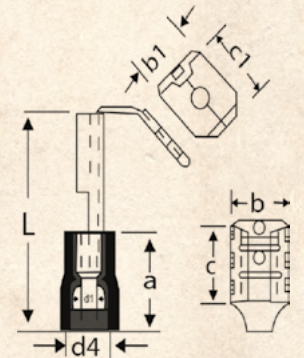
ÜRÜN KODU ORDER CODE	KABLO KESİTİ CABLE SECTION (mm)	SOKET GENİŞLİĞİ TAB SIZE	BOYUTLAR DIMENSIONS							RENK COLOR	KUTU ADEDİ BOX PCS.	KUTU AĞIRLIĞI BOX WEIGHT	ADET FİYATI UNIT PRICE TL	KUTU FİYATI BOX PRICE TL
			d1	d4	a	c	b	L						
SP-IFD/1488-5	0,5-1,5	0,5X4,75	1,7	3,8	10,5	6,4	5,6	20,0	Kırmızı	100	~0,1 kg.	0,470	47,00	
SP-IFD/1488		0,8X4,75	1,7	3,8	10,5	6,4	5,6	20,0	Kırmızı	100	~0,1 kg.	0,470	47,00	
SP-IFD/1638		0,8X6,35	1,7	3,8	10,5	7,5	7,4	21,5	Kırmızı	100	~0,2 kg.	0,550	55,00	
SP-IFD/2488	1,5-2,5	0,8X4,75	2,3	4,7	10,5	6,4	5,6	20,0	Mavi	100	~0,1 kg.	0,470	47,00	
SP-IFD/2638		0,8X6,35	2,3	4,7	10,5	7,5	7,4	21,5	Mavi	100	~0,2 kg.	0,540	54,00	
SP-IFD/5638	4-6	0,8X6,35	3,4	6,2	12,5	7,5	7,4	25,5	Sarı	75	~0,1 kg.	0,690	51,75	

SP-IFD ÖZELLİKLERİ

HAMMADDE / METERIAL	PİRİNÇ / BRASS
KAPLAMA / COATING	KALAY / TIN PLATED
İZOLASYON / INSULATION	PVC

SP-FEG

İZOLELİ GERİ DÖNÜŞLÜ FASTON TİP KABLO UÇLARI
INSULATED RECEPTACLES, MULTIPLE TYPE



5846 sayılı yasa gereği fotoğrafların izinsiz yayınlanması ve kullanılması kesinlikle yasaktır.

ÜRÜN KODU ORDER CODE	KABLO KESİTİ CABLE SECTION (mm)	SOKET GENİŞLİĞİ TAB SIZE	BOYUTLAR DIMENSIONS								RENK COLOR	KUTU ADEDİ BOX PCS.	KUTU AĞIRLIĞI BOX WEIGHT	ADET FİYATI UNIT PRICE TL	KUTU FİYATI BOX PRICE TL
			d1	d4	a	c	c1	b	b1	L					
SP-FEG/1638	0,5-1,5	0,8X6,35	1,7	3,8	10,0	8,0	8,2	7,4	6,35	21,5	Kırmızı	100	~0,1 kg.	0,640	64,00
SP-FEG/2638	0,5-2,5	0,8X6,35	2,3	4,3	10,0	8,0	8,2	7,4	6,35	21,5	Mavi	100	~0,2 kg.	0,650	65,00
SP-FEG/5638	4-6	0,8X6,35	3,4	5,7	13,0	8,0	8,2	7,4	6,35	25,0	Sarı	100	~0,2 kg.	0,750	75,00

SP-FEG ÖZELLİKLERİ

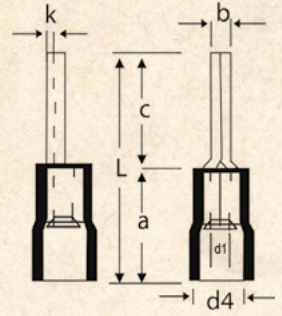
HAMMADDE / METERIAL	PİRİNÇ / BRASS
KAPLAMA / COATING	KALAY / TIN PLATED
İZOLASYON / INSULATION	PVC



SP-IK

İZOLELİ İĞNE TİP KABLO UÇLARI INSULATED PIN TYPE CONNECTORS

Simpa



5846 sayılı yasa gereği fotoğrafların izinsiz yayınlanması ve kullanılması kesinlikle yasaktır.

ÜRÜN KODU ORDER CODE	KABLO KESİTİ CABLE SECTION (mm)	BOYUTLAR DIMENSIONS							RENK COLOR	KUTU ADEDİ BOX PCS.	KUTU AĞIRLIĞI BOX WEIGHT	ADET FİYATI UNIT PRICE TL	KUTU FİYATI BOX PRICE TL
		d1	d4	a	c	b	L	k					
SP-IK/0,5-1,5	0,5-1,5	1,7	4,3	10,0	10,0	1,9	20,0	0,75	Kırmızı	200	~0,2 kg.	0,185	37,00
SP-IK/1,5-2,5	1,5-2,5	2,3	4,9	10,0	12,0	1,9	22,0	0,8	Mavi	200	~0,2 kg.	0,200	40,00
SP-IK/4-6	4-6	3,4	6,7	13,0	12,5	2,8	25,5	1,0	Sarı	100	~0,2 kg.	0,370	37,00

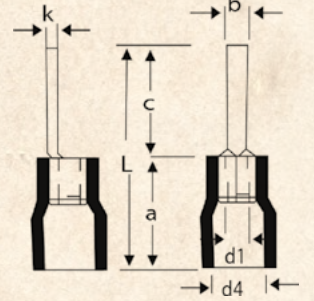
SP-IK ÖZELLİKLERİ

HAMMADDE / METERIAL	BAKIR / COPPER
KAPLAMA / COATING	KALAY / TIN PLATED
İZOLASYON / INSULATION	PVC

SP-IBU

İZOLELİ BIÇAK TİP KABLO UÇLARI INSULATED BLADE TYPE TERMINALS

Simpa



5846 sayılı yasa gereği fotoğrafların izinsiz yayınlanması ve kullanılması kesinlikle yasaktır.

ÜRÜN KODU ORDER CODE	KABLO KESİTİ CABLE SECTION (mm)	BOYUTLAR DIMENSIONS							RENK COLOR	KUTU ADEDİ BOX PCS.	KUTU AĞIRLIĞI BOX WEIGHT	ADET FİYATI UNIT PRICE TL	KUTU FİYATI BOX PRICE TL
		d1	d4	a	c	b	L	k					
SP-IBU/101-14	0,5-1,5	1,7	3,8	10,0	14,0	3	24,0	0,75	Kırmızı	200	~0,2 kg.	0,450	90,00
SP-IBU/102-18	1,5-2,5	2,3	4,9	10,0	18,0	2,2	28,0	0,75	Mavi	200	~0,2 kg.	0,550	110,00

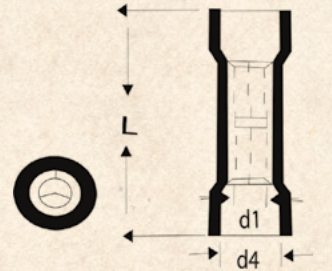
SP-IBU ÖZELLİKLERİ

HAMMADDE / METERIAL	PİRİNÇ / BRASS
KAPLAMA / COATING	KALAY / TIN PLATED
İZOLASYON / INSULATION	PVC

SP-IEM

İZOLELİ EK MUFLAR INSULATED BUTT CONNECTORS

Simpa



5846 sayılı yasa gereği fotoğrafların izinsiz yayınlanması ve kullanılması kesinlikle yasaktır.

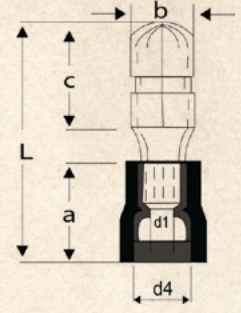
ÜRÜN KODU ORDER CODE	KABLO KESİTİ CABLE SECTION (mm)	BOYUTLAR DIMENSIONS			RENK COLOR	KUTU ADEDİ BOX PCS.	KUTU AĞIRLIĞI BOX WEIGHT	ADET FİYATI UNIT PRICE TL	KUTU FİYATI BOX PRICE TL
		d1	d4	a					
SP-IEM/251	0,5-1,5	1,7	4,0	25,0	Kırmızı	150	~0,1 kg.	0,400	60,00
SP-IEM/252	1,5-2,5	2,3	4,9	16,0	Mavi	150	~0,3 kg.	0,435	65,25
SP-IEM/256	4-6	3,6	6,7	20,5	Sarı	100	~0,2 kg.	0,770	77,00

SP-IEM ÖZELLİKLERİ

HAMMADDE / METERIAL	PİRİNÇ / BRASS
KAPLAMA / COATING	KALAY / TIN PLATED
İZOLASYON / INSULATION	PVC



SP-ET



İZOLELİ ERKEK KABLO TERMİNALLERİ INSULATED MALE BULLET CONNECTORS

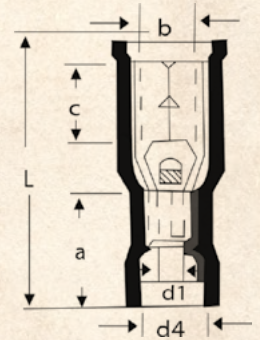
5846 sayılı yasa gereği fotoğrafların izinsiz yayınlanması ve kullanılması kesinlikle yasaktır.

ÜRÜN KODU ORDER CODE	KABLO KESİTİ CABLE SECTION (mm)	BOYUTLAR DIMENSIONS						RENK COLOR	KUTU ADEDİ BOX PCS.	KUTU AĞIRLIĞI BOX WEIGHT	ADET FİYATI UNIT PRICE TL	KUTU FİYATI BOX PRICE TL
		d1	d4	a	c	b	L					
SP-ET/1040	0,5-1,5	1,7	3,8	10,0	11,0	4,0	21,0	Kırmızı	200	~0,2 kg.	0,370	74,00
SP-ET/2040	1,5-2,5	2,3	4,7	10,0	11,0	4,0	21,0	Mavi	200	~0,2 kg.	0,385	77,00
SP-ET/2050		2,3	4,7	10,0	11,0	5,0	21,0	Mavi	200	~0,2 kg.	0,400	80,00
SP-ET/5050	4-6	3,4	6,2	13,0	12,0	5,0	25,0	Sarı	100	~0,1 kg.	0,550	55,00

SP-ET ÖZELLİKLERİ

HAMMADDE / METERIAL	PİRİNÇ / BRASS
KAPLAMA / COATING	KALAY / TIN PLATED
İZOLASYON / INSULATION	PVC

SP-DT



İZOLELİ DIŞI KABLO TERMİNALLERİ INSULATED FEMALE BULLET CONNECTORS

5846 sayılı yasa gereği fotoğrafların izinsiz yayınlanması ve kullanılması kesinlikle yasaktır.

ÜRÜN KODU ORDER CODE	KABLO KESİTİ CABLE SECTION (mm)	BOYUTLAR DIMENSIONS						RENK COLOR	KUTU ADEDİ BOX PCS.	KUTU AĞIRLIĞI BOX WEIGHT	ADET FİYATI UNIT PRICE TL	KUTU FİYATI BOX PRICE TL
		d1	d4	a	c	b	L					
SP-DT/1040	0,5-1,5	1,7	3,8	10,5	7,0	4,0	24,5	Kırmızı	100	~0,2 kg.	0,500	50,00
SP-DT/2040	1,5-2,5	2,3	4,7	10,5	7,0	4,0	24,5	Mavi	100	~0,2 kg.	0,510	51,00
SP-DT/2050		2,3	4,7	10,5	7,0	5,0	25,5	Mavi	100	~0,2 kg.	0,540	54,00
SP-DT/5050	4-6	3,4	6,2	10,5	7,0	5,0	29,5	Sarı	100	~0,2 kg.	0,790	79,00

SP-DT ÖZELLİKLERİ

HAMMADDE / METERIAL	PİRİNÇ / BRASS
KAPLAMA / COATING	KALAY / TIN PLATED
İZOLASYON / INSULATION	PVC



TEKNİK BİLGİLER

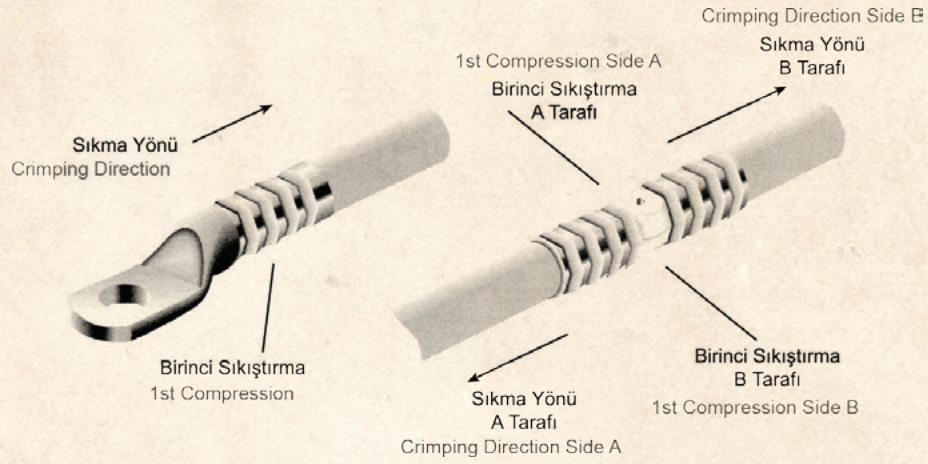
TECHNICAL DATA

Kablo Pabucu ve Muflarının Sıkılması

1. GİRME derinliğine göre iletkenin ucunu sıyırın (sıkılmamış ucun boy derinliğinden dolayı +%10)
2. İletken uçları montajdan önce bir bez veya fırça ile temizlenmelidir.
3. İletkeni sonuna kadar kablo pabucuna veya konnektöre sokun.
4. Sıkma yönünü izlerken uygun takımı kullanarak kablo pabucunu veya soketi sıkın.
5. Kablo pabuçları veya konnektörler için sıkma yönü aşağıdaki şekilde gösterilmektedir.
6. Sıkma işlemi tamamlandıktan sonra, kablo pabuçlarından ve sıkıştırılmalı bağlantılardan çıkan fazla malzemeleri ayırın.

Assembly Instructions for Cable Lugs and Connectors

1. Strip conductor according to insertion depth (+10% because of length changing of crimped sleeve)
2. Conductor ends must be cleaned with a cloth or brush before assembly.
3. Insert conductor fully into cable lug or connector.
4. Paying attention crimping direction, crimp the cable lug or connector using the appropriate tools. The crimping direction for cable lugs and connectors is indicated in the illustration below.
5. After crimping, wipe away excess compound forced out from aluminium cable lugs and connectors.



Muhtelif Kablo Pabucu Sıkma Tiplerine Ait Önerilen Sıkma Miktarları

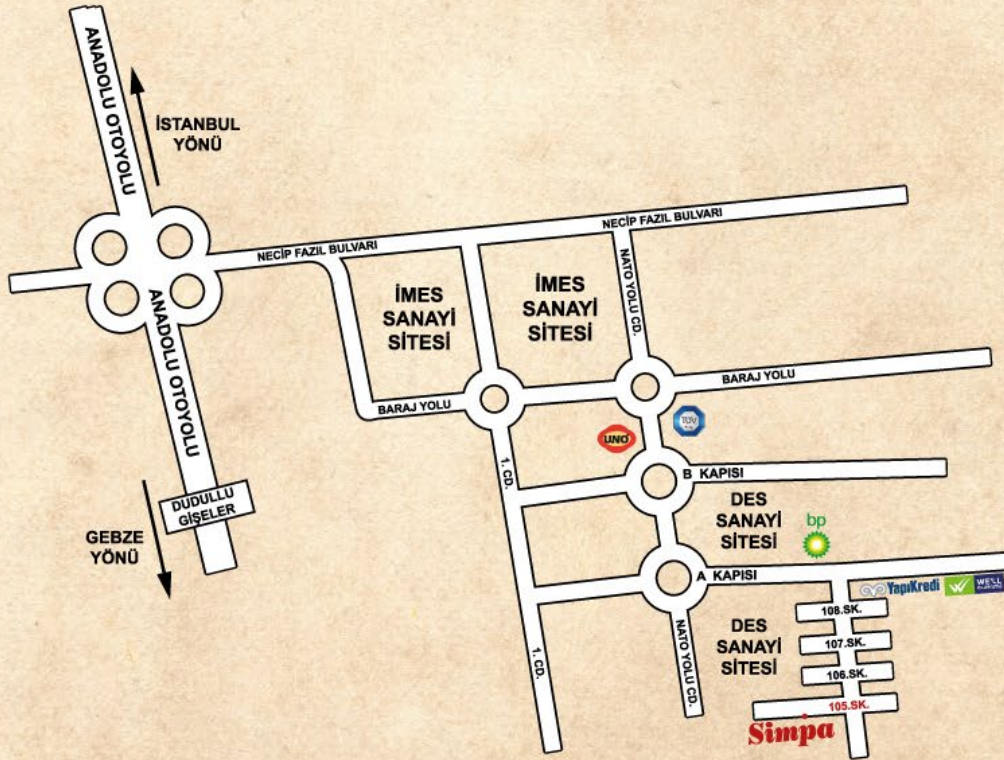
We Recommend the Following Number of Compression for Individual Cable Sections

KABLO KESİTİ (mm ²) Cable Section (mm ²)	Standart SKP Kablo Pabuçları 5mm'lik Sıkma Çeneli Tubular Cable Lugs 5mm Crimping die	Geniş Sıkma Çeneleri Wide Crimping dies	DIN 46235'e uygun Kablo Pabuçları 5mm'lik Sıkma Çeneli DIN Cable Lugs 5mm Crimping die	Geniş Sıkma Çeneleri Wide Crimping dies	Alüminyum Kablo Pabuçları 7mm'lik Sıkma Çeneli Aluminium Cable Lugs 7mm Crimping die	Geniş Sıkma Çeneleri Wide Crimping dies
6	1		2			
10	1		2			
16	1	1	2	1	4	2
25	2	1	2	1	4	2
35	2	1	2	1	5	2
50	2	1	3	1	5	2
70	2	1	3	1	6	3
95	2	1	4	2	6	3
120	2	1	4	2	6	3
150	2	1	4	2	6	3
185	1	1	4	2	6	3
240	4	2	5	2	8	3
300	4	2	5	2	8	3
400	4	2		3		4
500				3		4
625				3		
800				3		
1000			4	2		

NOTLAR

A series of horizontal dotted lines for writing notes, spanning the width of the page below the 'NOTLAR' header.

Simpa®



SİMPA ELEKTRİK MALZEMESİ SAN. ve TİC. A.Ş.

Des Sanayi Sitesi 105 Sokak B11 Blok No:16

Yukarı Dudullu - İstanbul

Tel: +90(216) 415 38 97

+90(216) 499 69 62

Fax: +90(216) 420 68 82

info@simpaelektrik.com.tr

www.simpaelektrik.com.tr

www.simpaelektrik.com